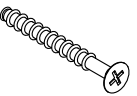






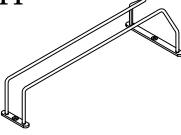
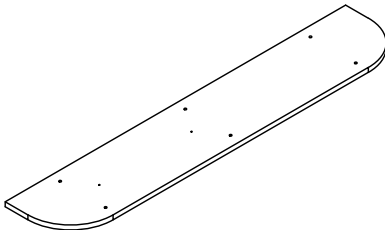
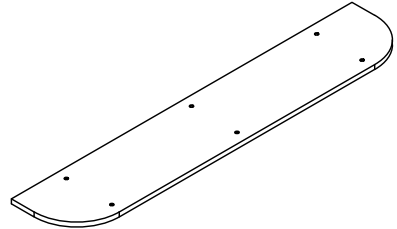
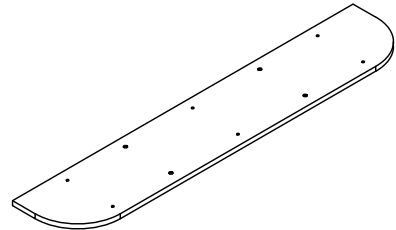
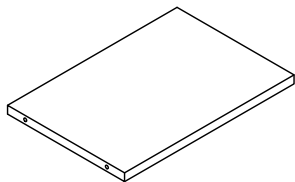
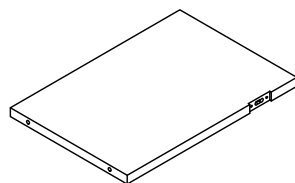
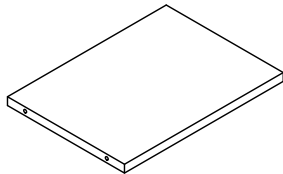
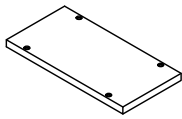
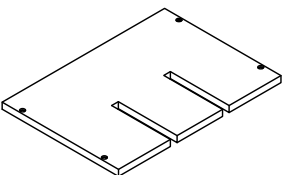
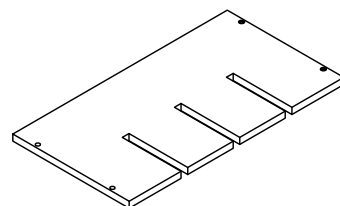
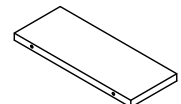
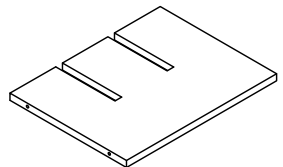
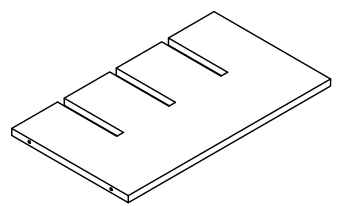
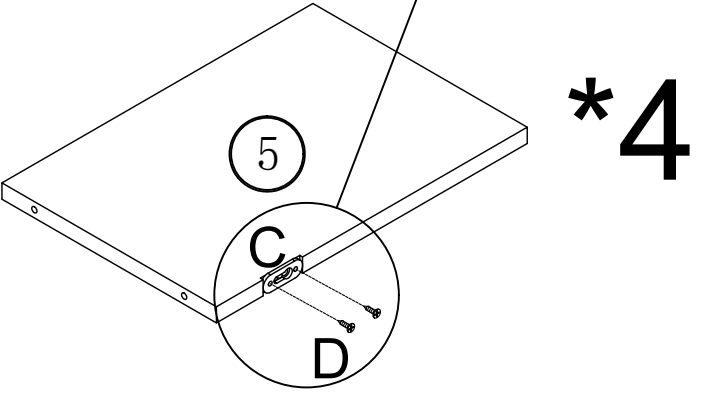
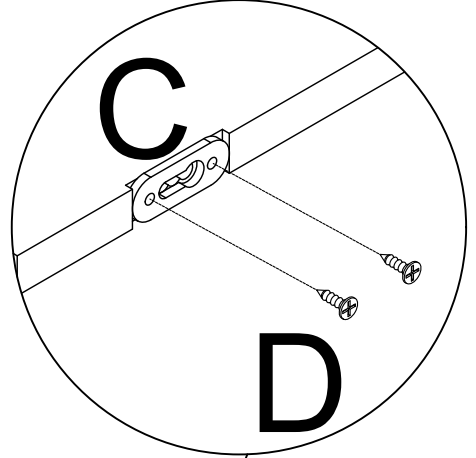
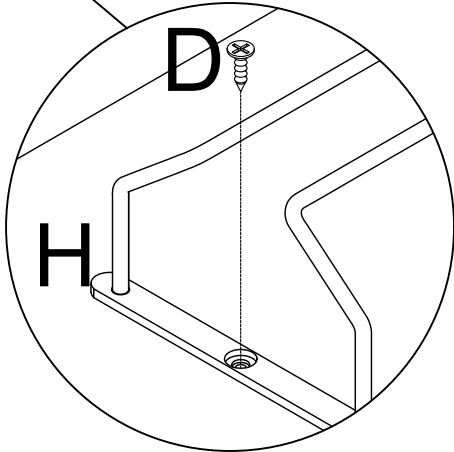
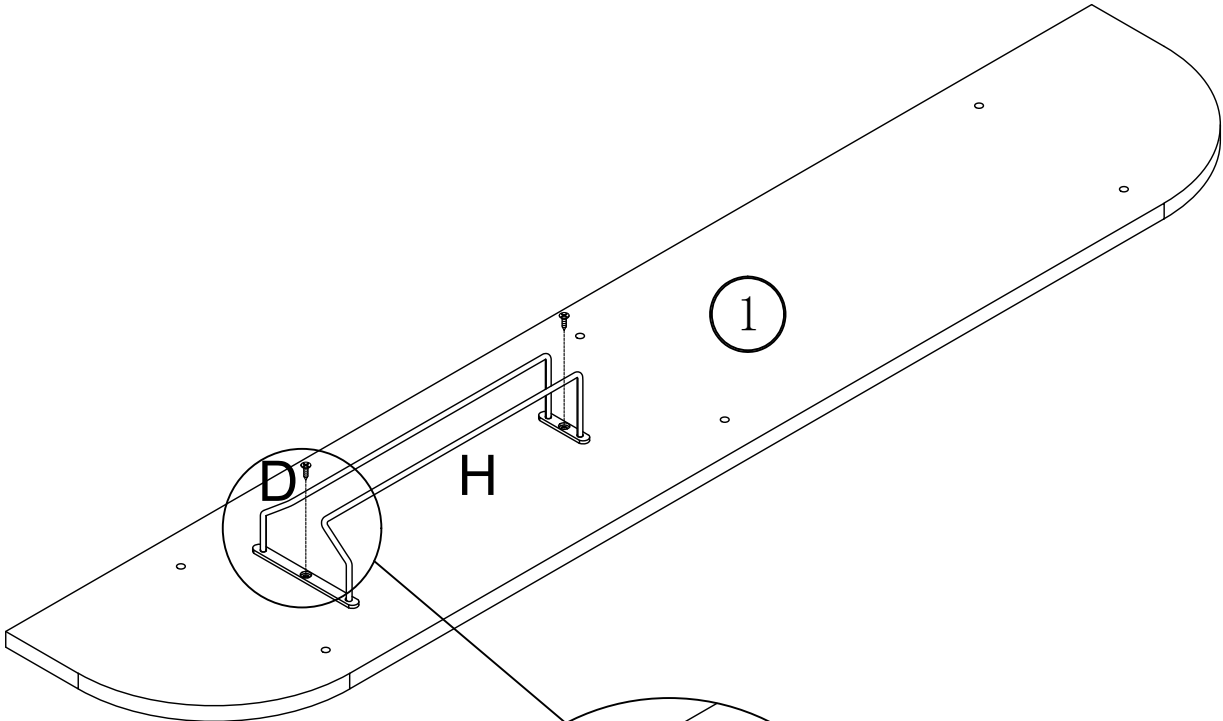





<p><b>A</b> 7*50</p>  <p>32PCS</p>	<p><b>B</b> 5*40</p>  <p>20PCS</p>	<p><b>C</b></p>  <p>4PCS</p>	<p><b>D</b> 3.5*14</p>  <p>10PCS</p>	<p><b>E</b> 4*50</p>  <p>4PCS</p>	<p><b>F</b> 8*40</p>  <p>4PCS</p>	<p><b>G</b></p>  <p>52PCS</p>	<p><b>H</b></p>  <p>1PC</p>
---	---	---	---	---	--	--	--

<p>1</p> <p>1200*230 (mm) 47.24*9.06 (inch)</p>  <p>1PC</p>	<p>2</p> <p>1200*230 (mm) 47.24*9.06 (inch)</p>  <p>1PC</p>	<p>3</p> <p>1200*230 (mm) 47.24*9.06 (inch)</p>  <p>2PCS</p>	<p>4</p> <p>332*229 (mm) 13.07*9.02 (inch)</p>  <p>2PCS</p>
<p>5</p> <p>332*229 (mm) 13.07*9.02 (inch)</p>  <p>4PCS</p>	<p>6</p> <p>311*229 (mm) 12.24*9.02 (inch)</p>  <p>2PCS</p>	<p>7</p> <p>114*228 (mm) 4.49*8.98 (inch)</p>  <p>2PCS</p>	<p>8</p> <p>318*228 (mm) 12.52*8.98 (inch)</p>  <p>2PCS</p>
<p>9</p> <p>420*228 (mm) 16.54*8.98 (inch)</p>  <p>1PC</p>	<p>10</p> <p>90*228 (mm) 3.54*8.98 (inch)</p>  <p>2PCS</p>	<p>11</p> <p>294*228 (mm) 11.57*8.98inch</p>  <p>2PCS</p>	<p>12</p> <p>396*228 (mm) 15.59*8.98 (inch)</p>  <p>1PC</p>

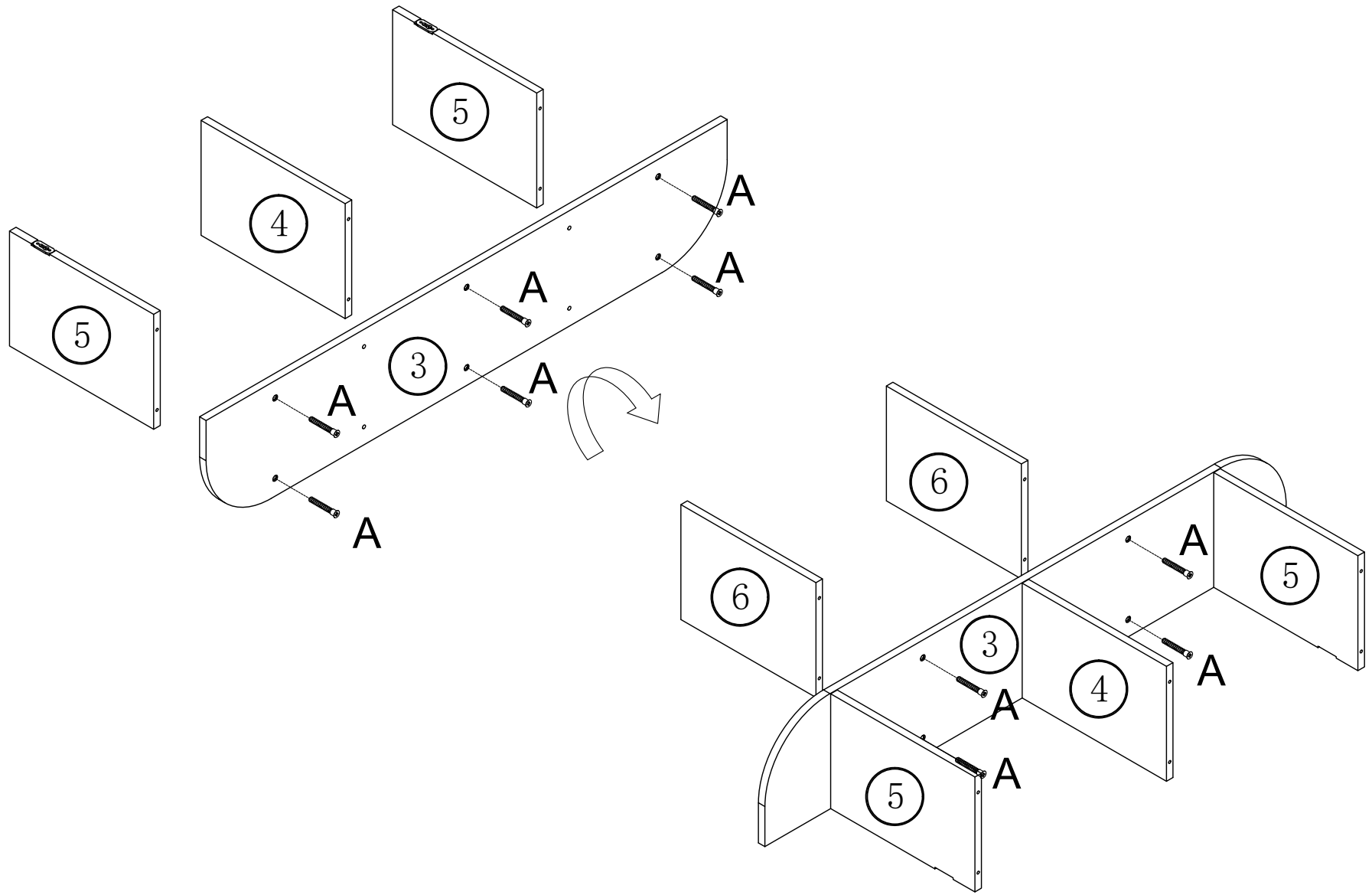
1



	C*4
	D*10
	H*1

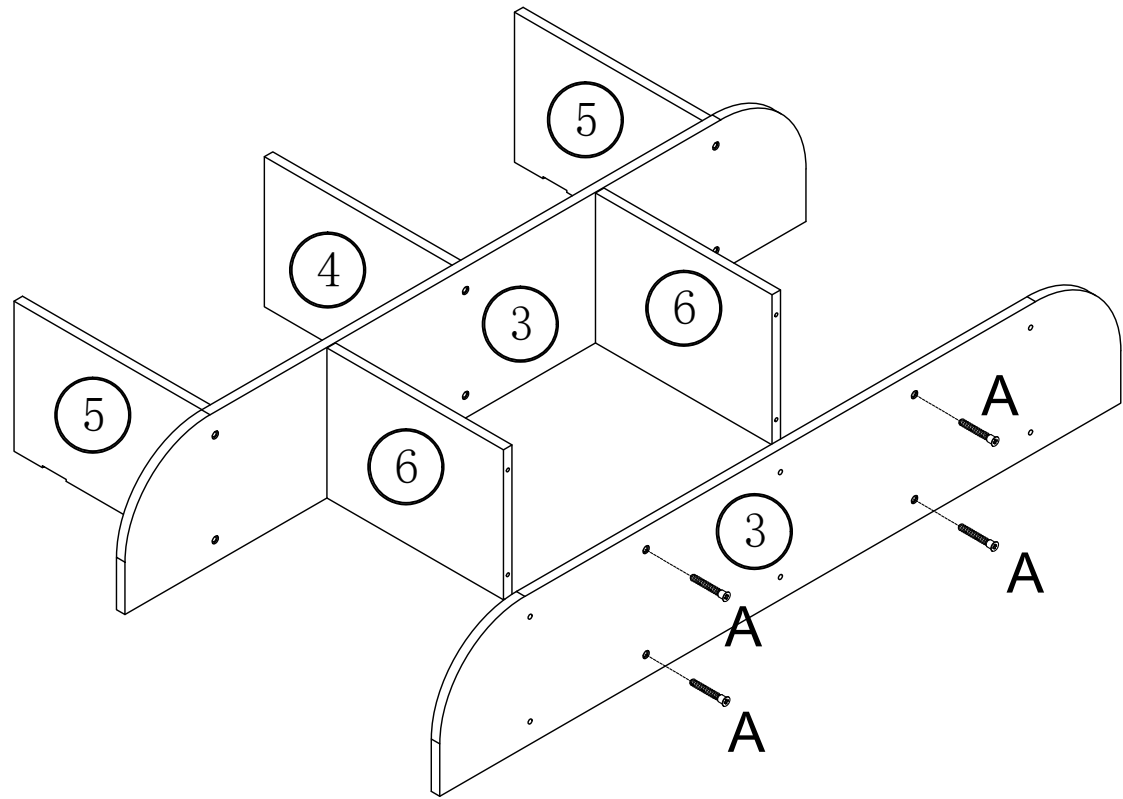
put C on board ⑤  
put H on board ①

2



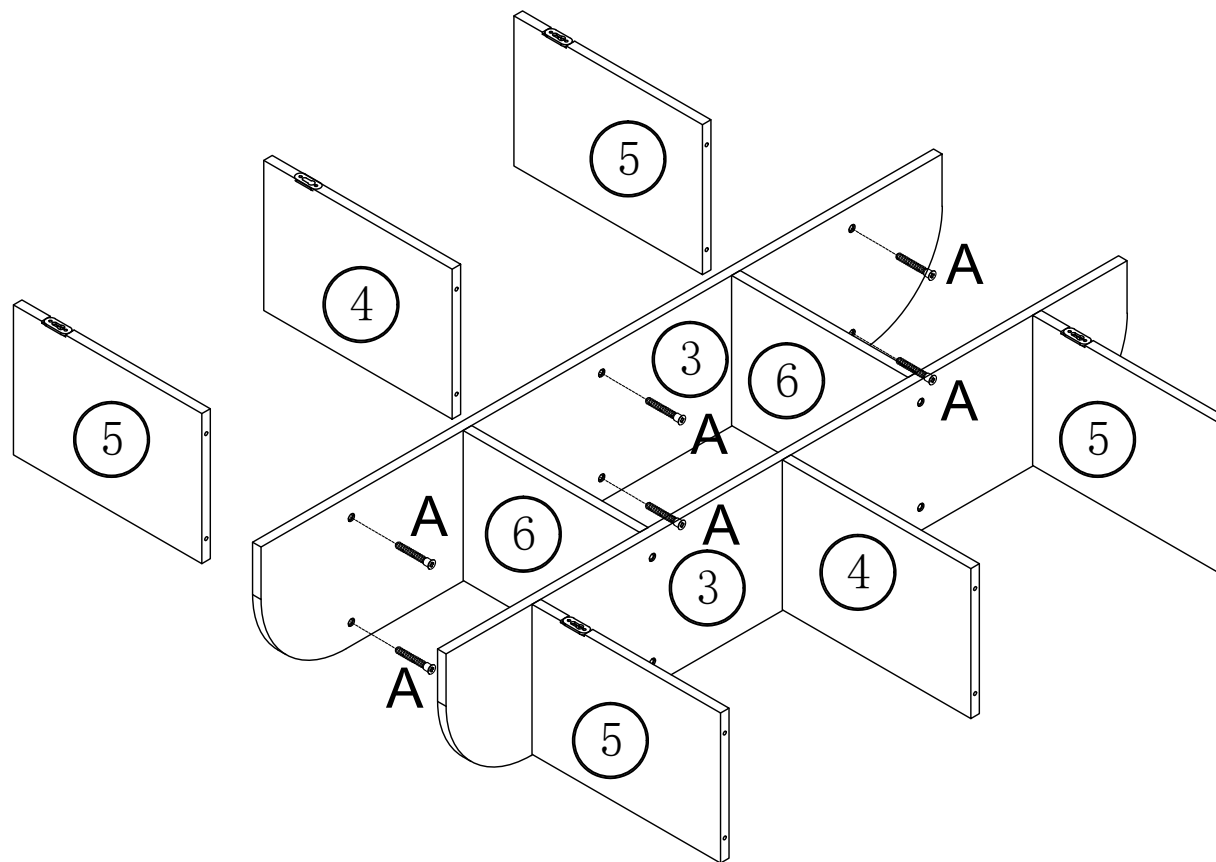
	A*10
---	------

3



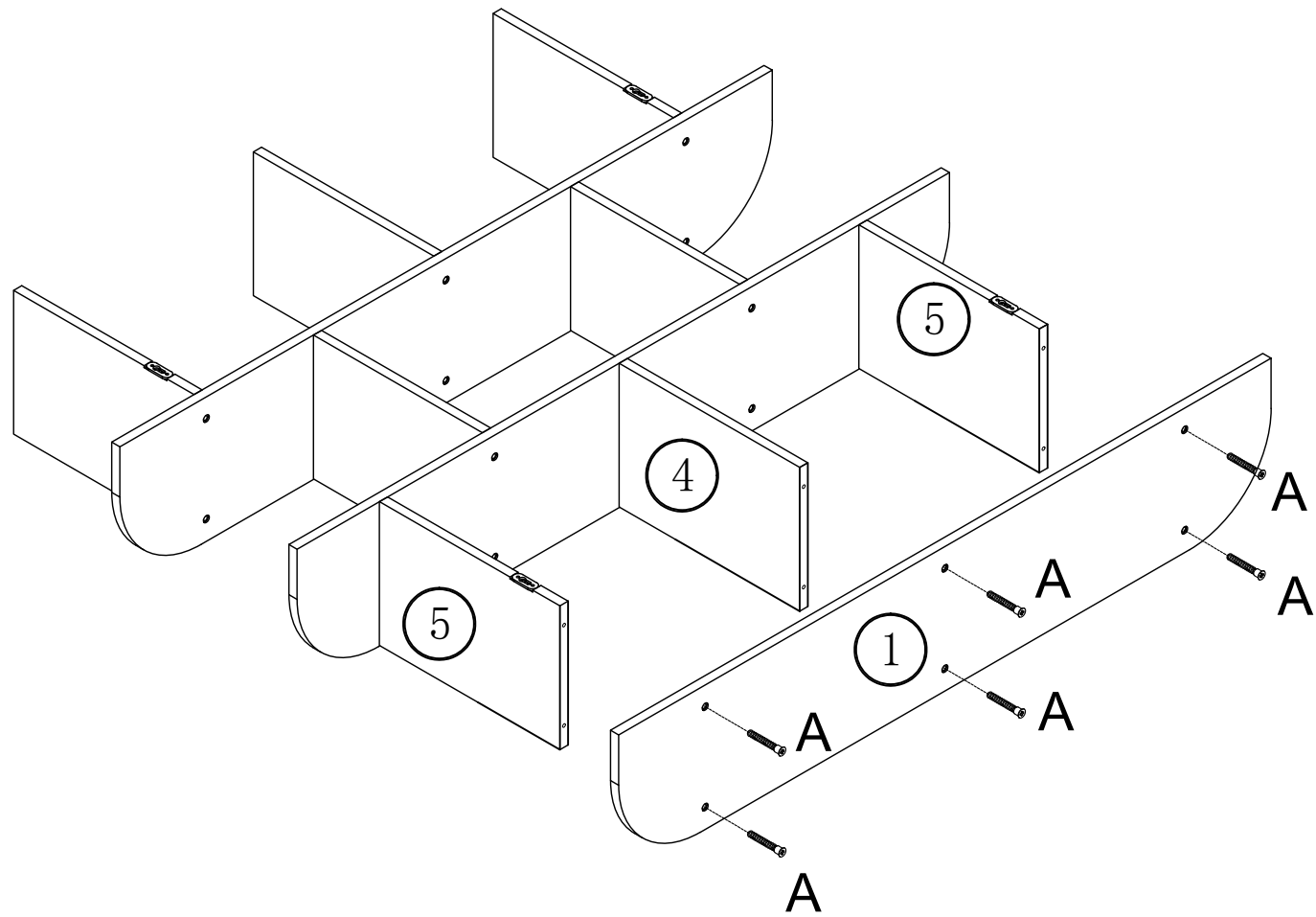
A\*4

4



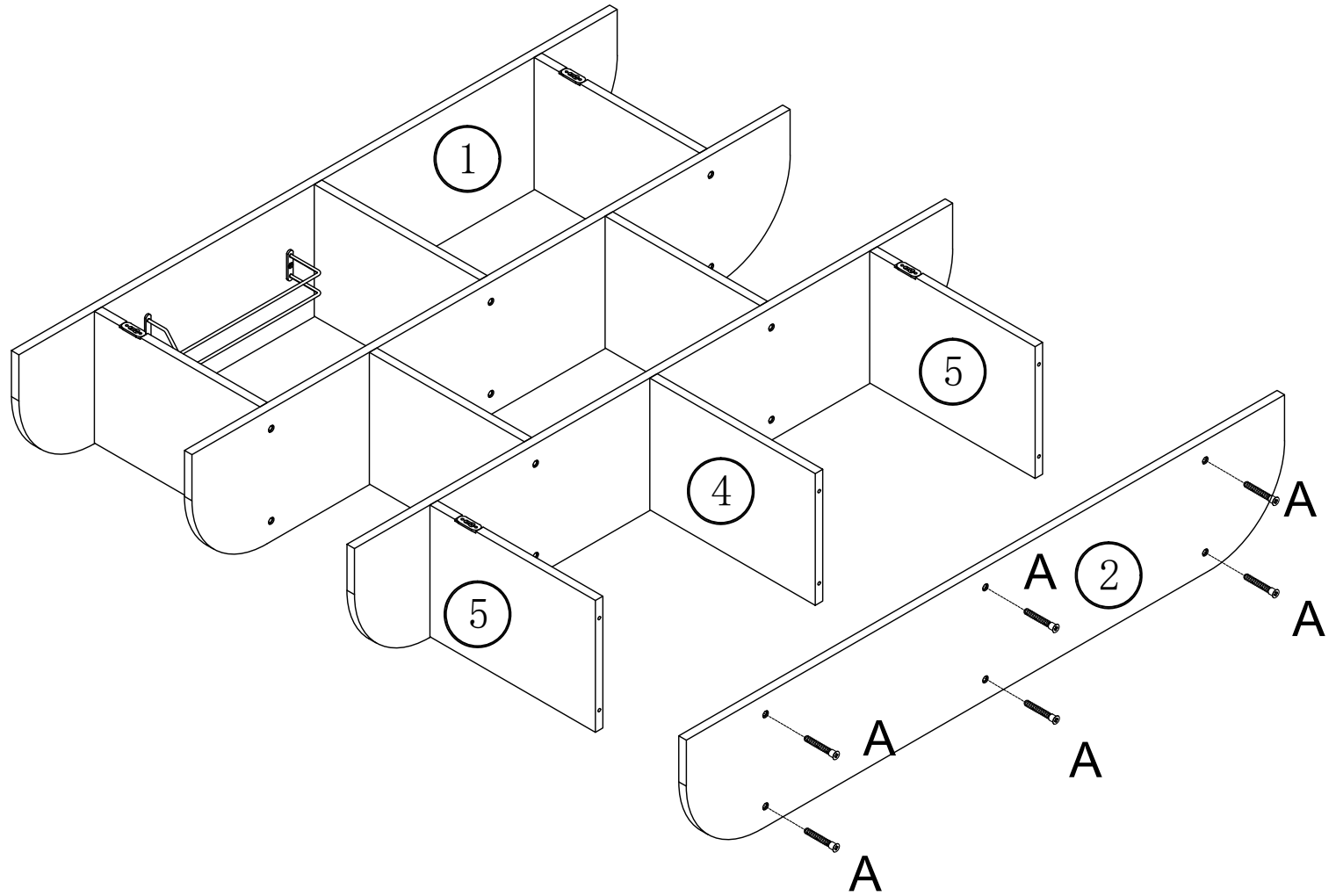
A\*6

5



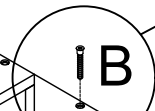
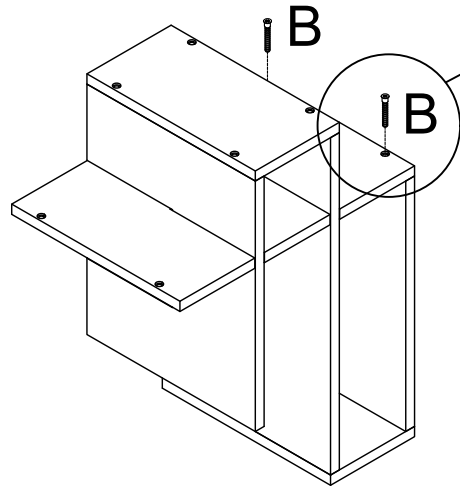
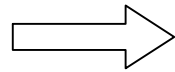
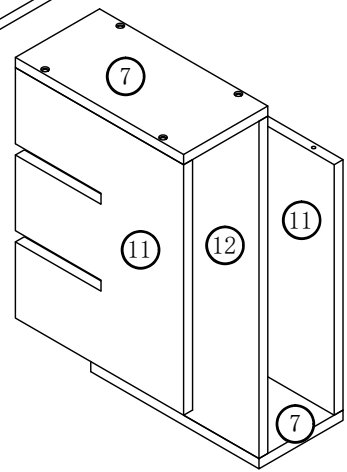
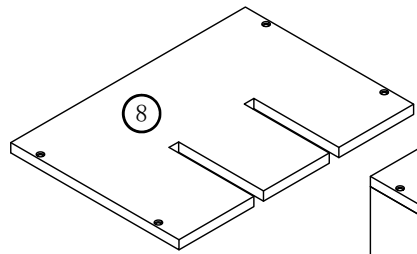
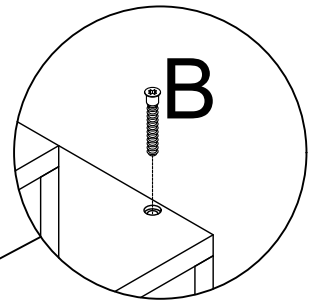
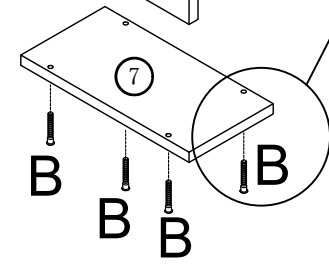
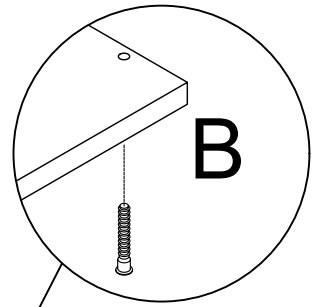
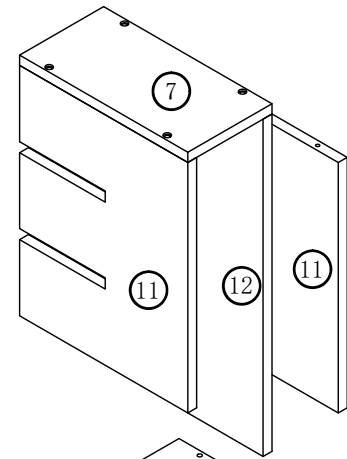
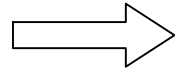
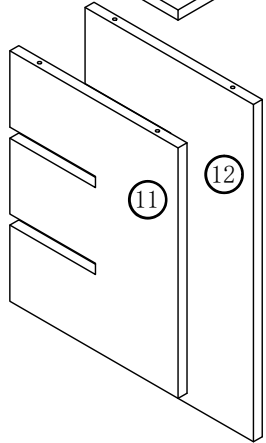
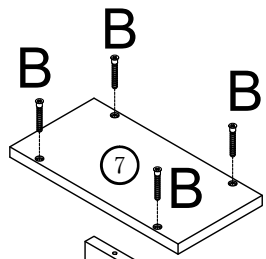
A\*6

6



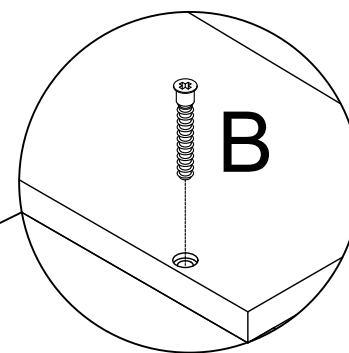
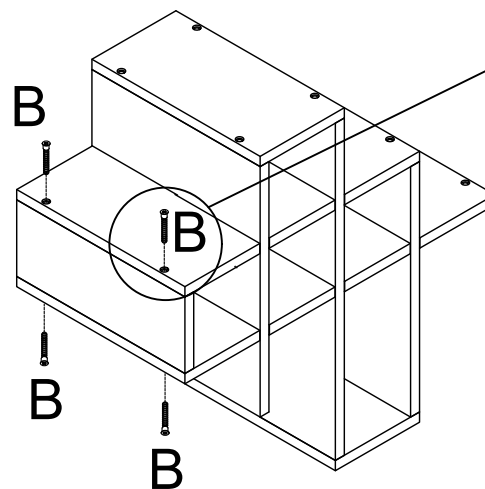
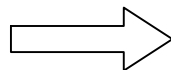
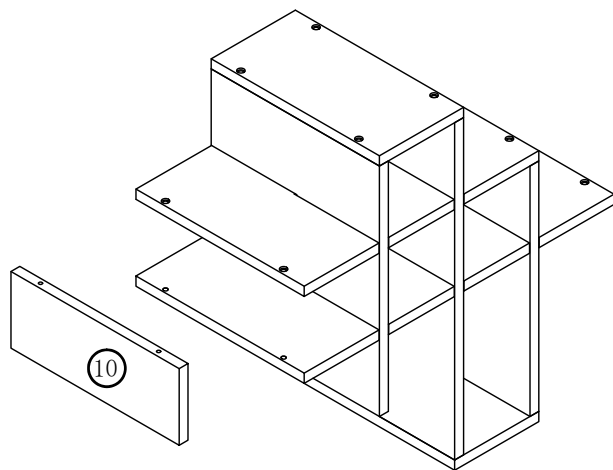
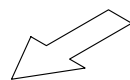
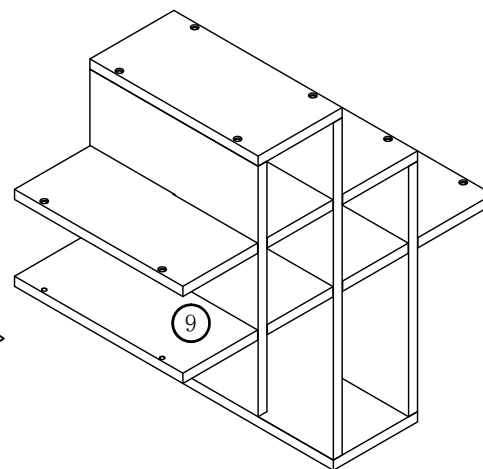
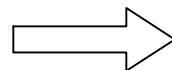
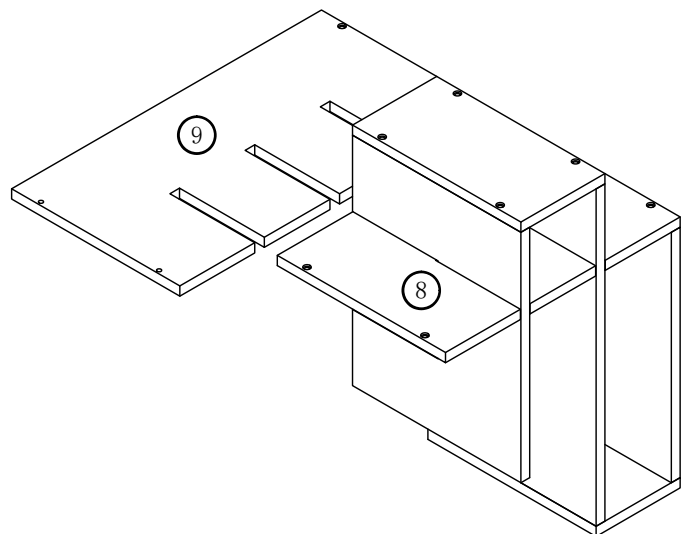
A\*6

7



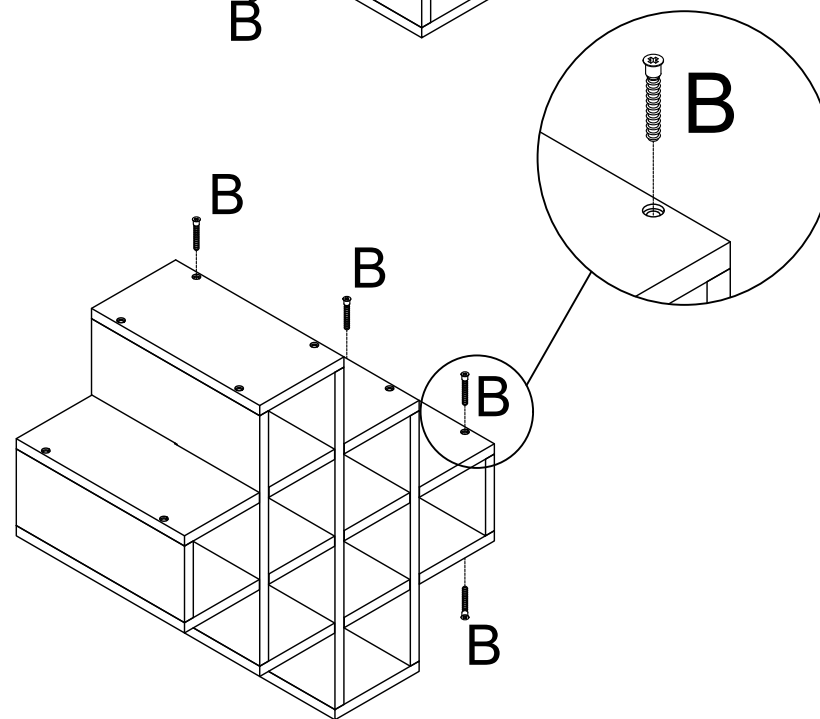
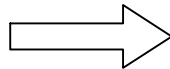
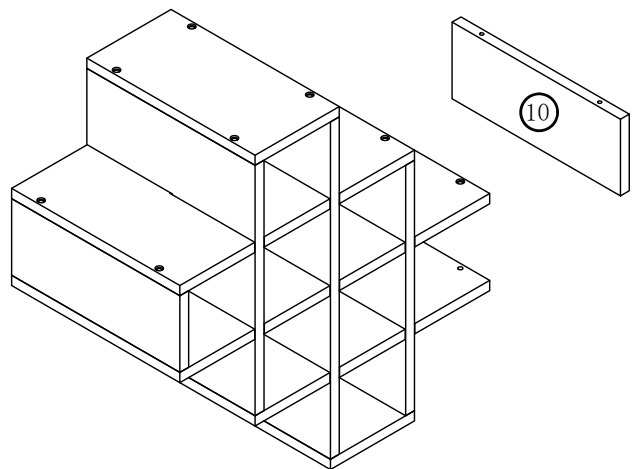
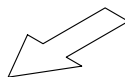
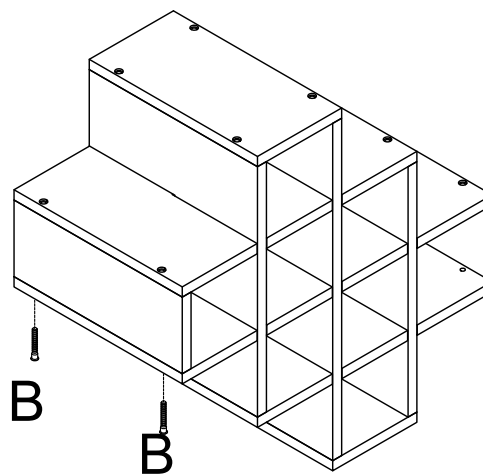
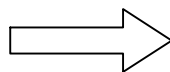
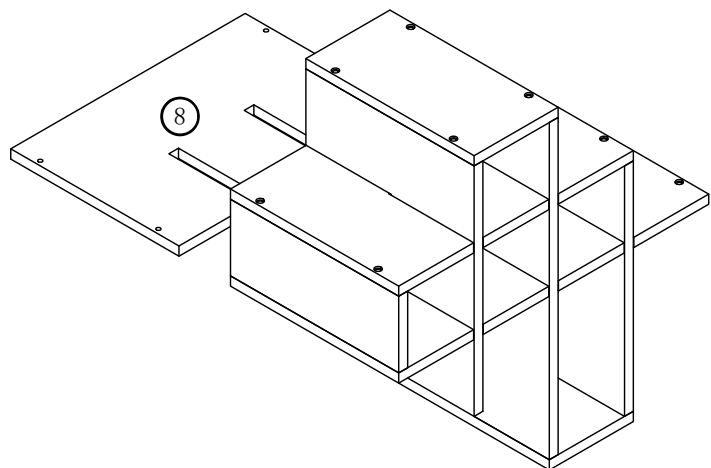
B\*10

8



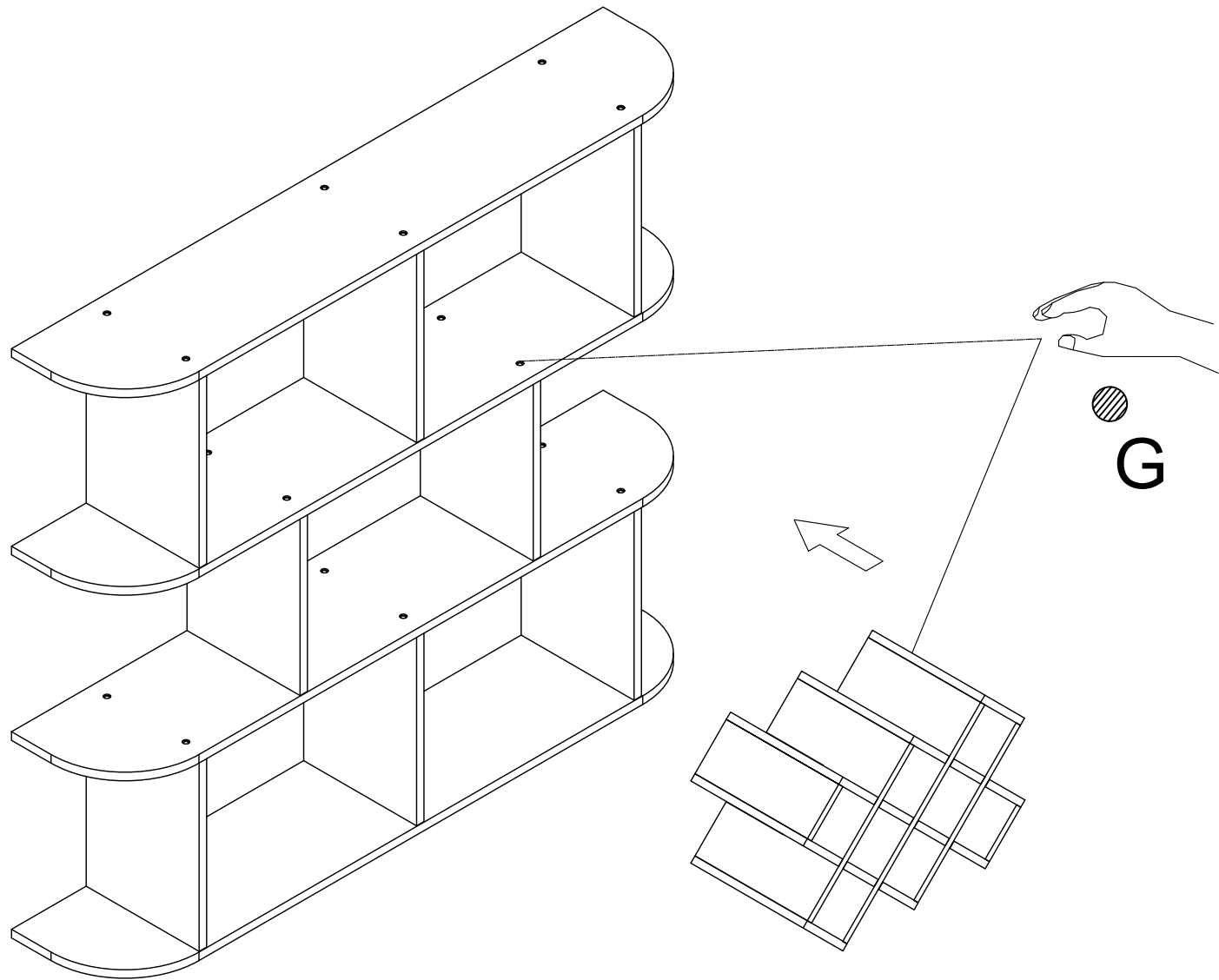
B\*4

9



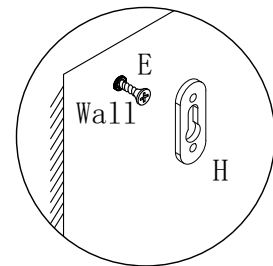
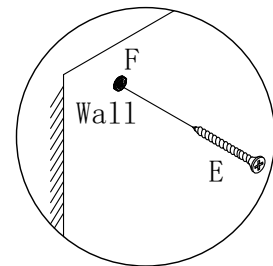
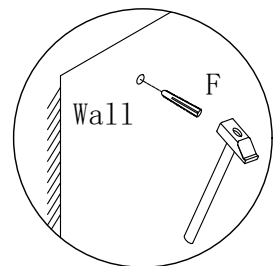
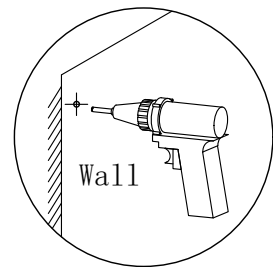
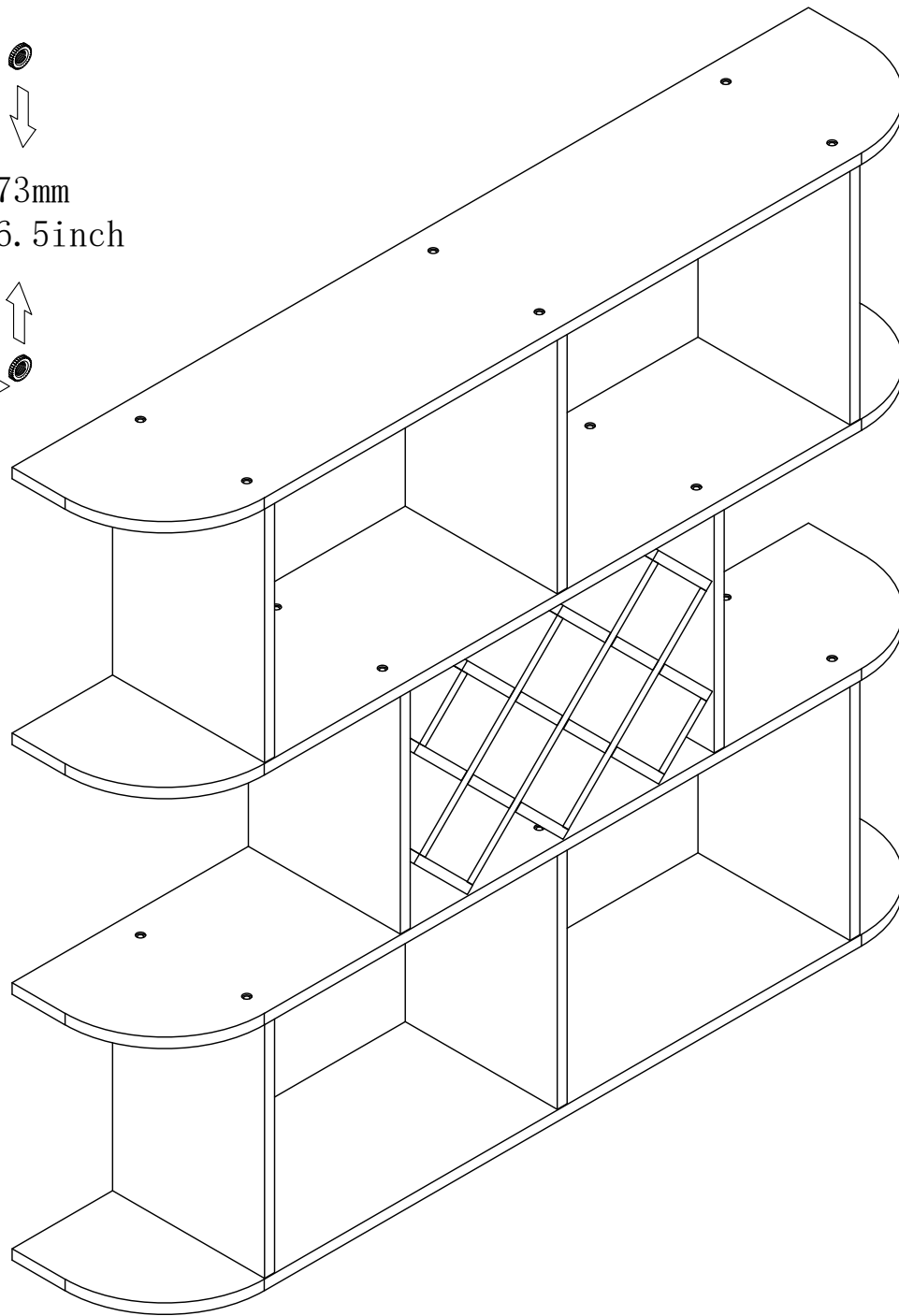
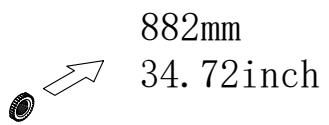
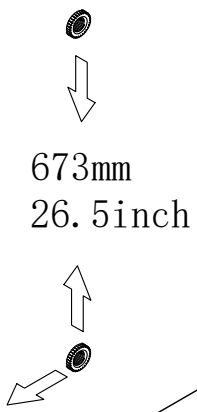
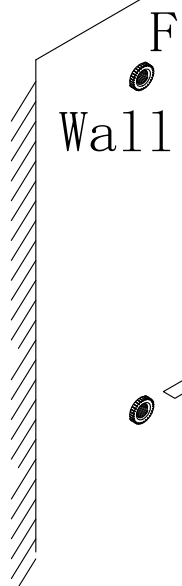
B\*6

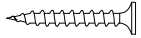

10

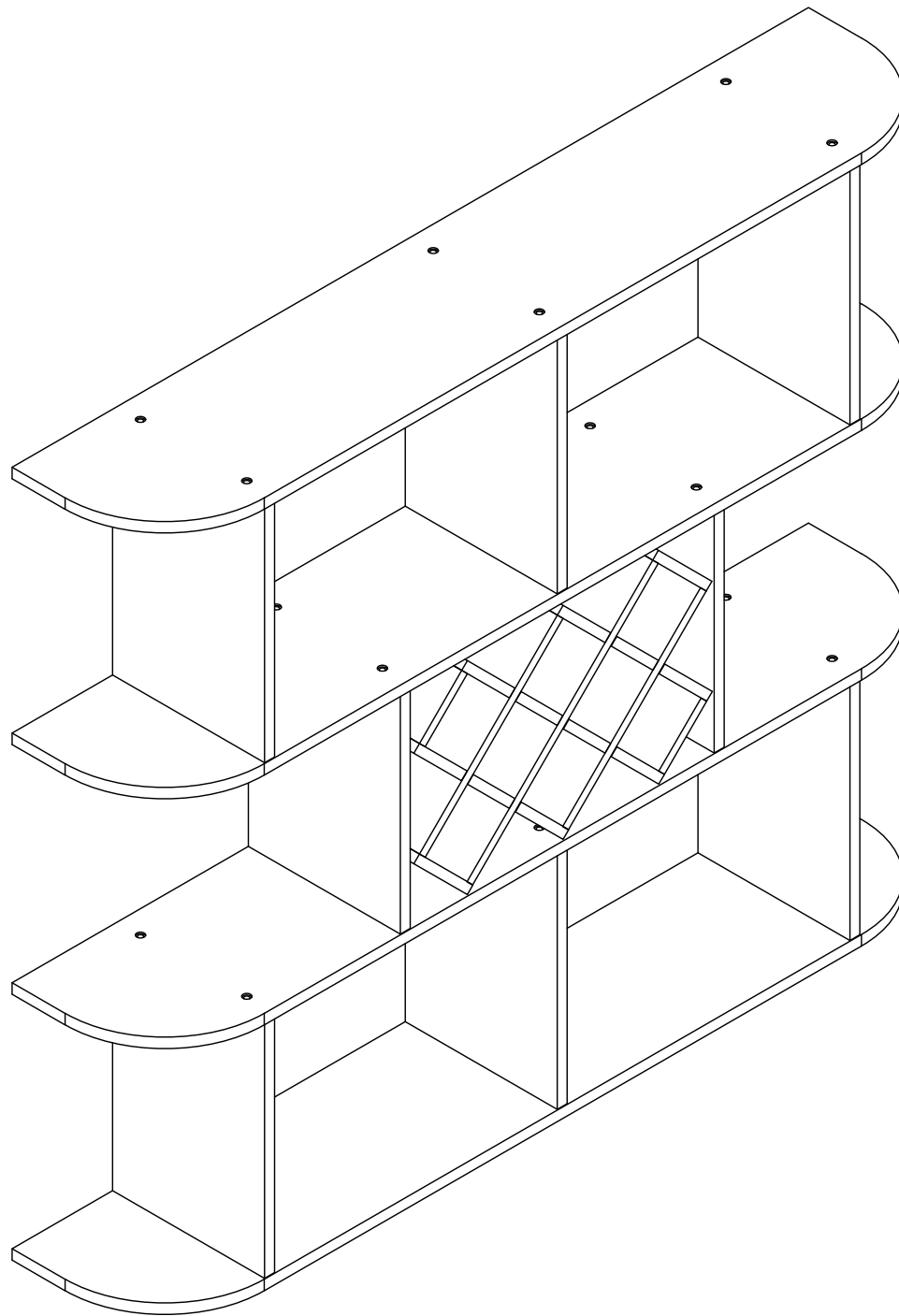


G\*52

11



	E*4
	F*4



**END**