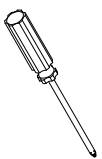
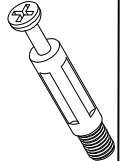
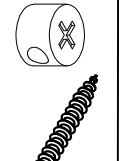
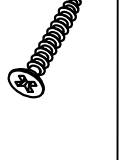
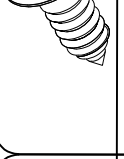
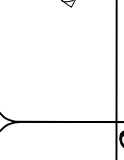
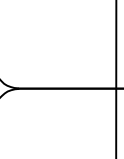
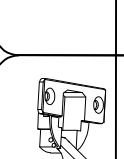
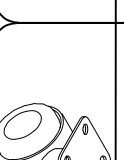
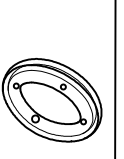

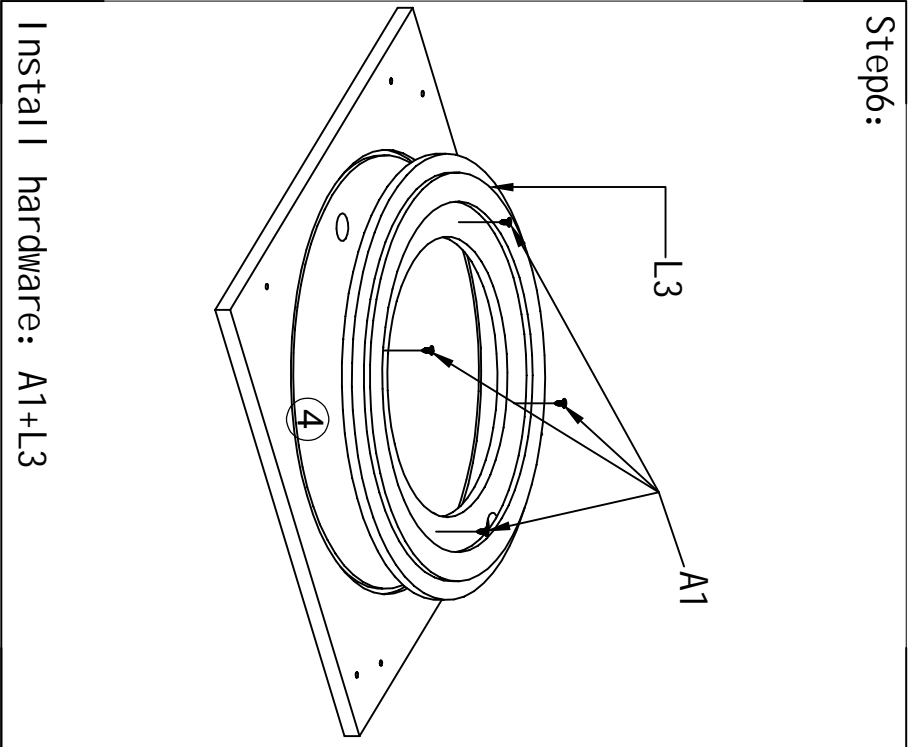
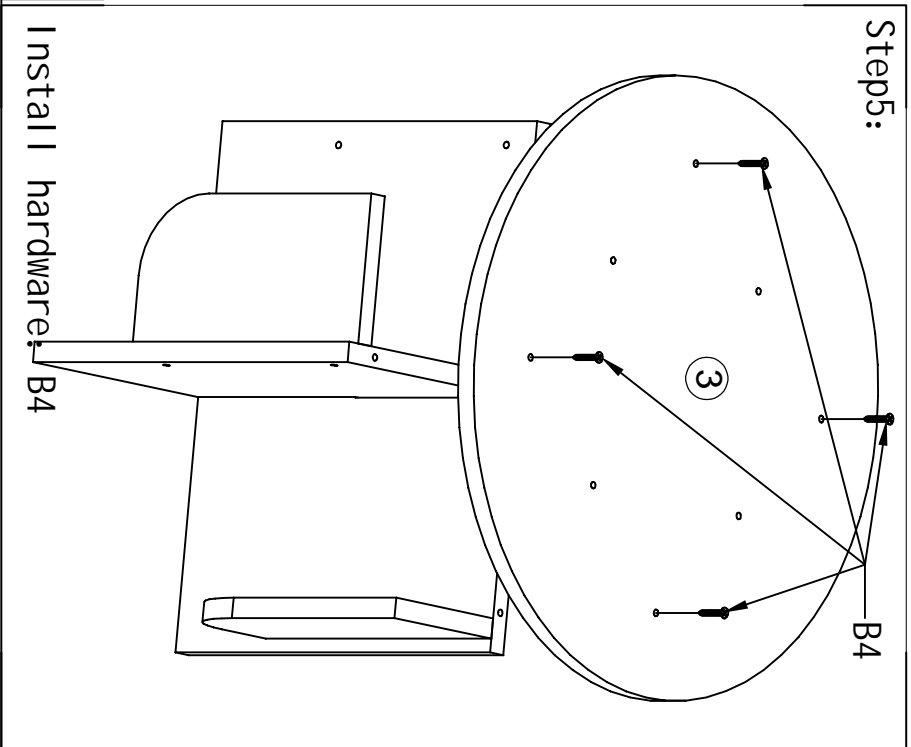
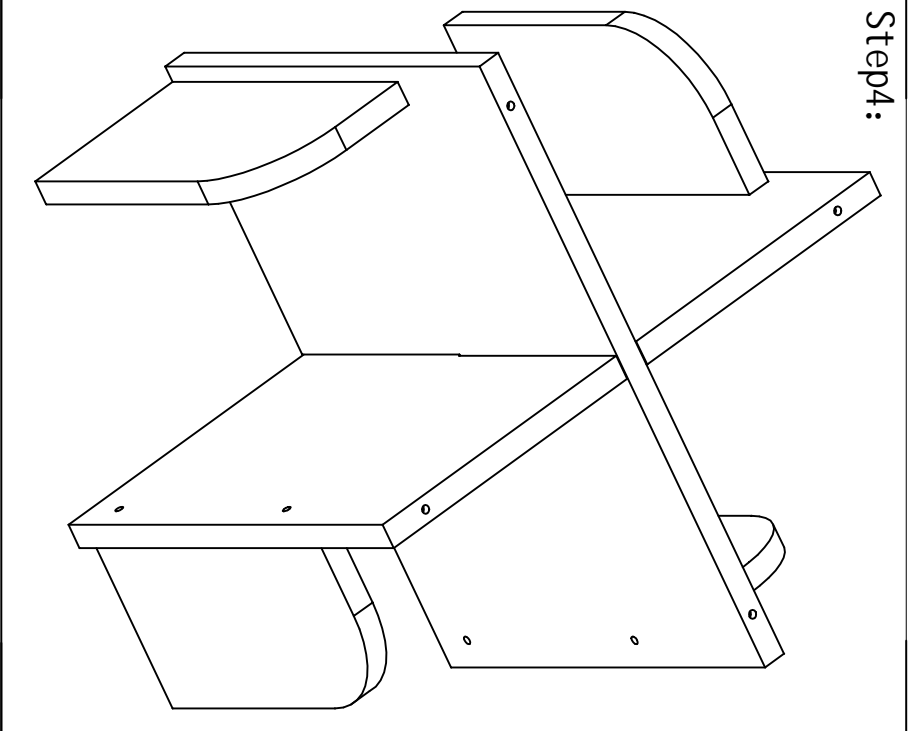
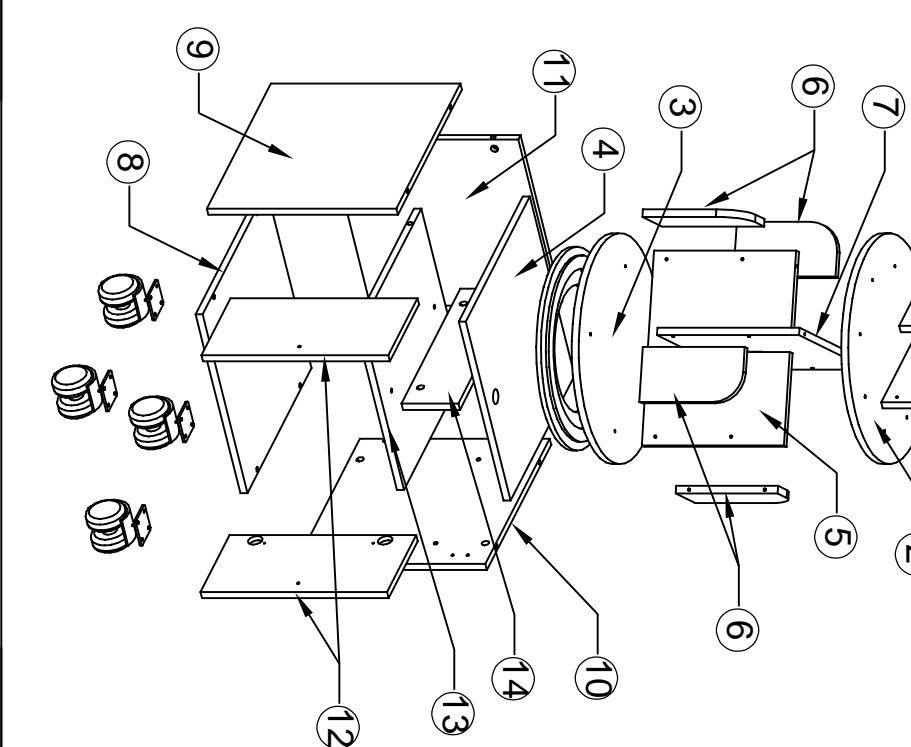
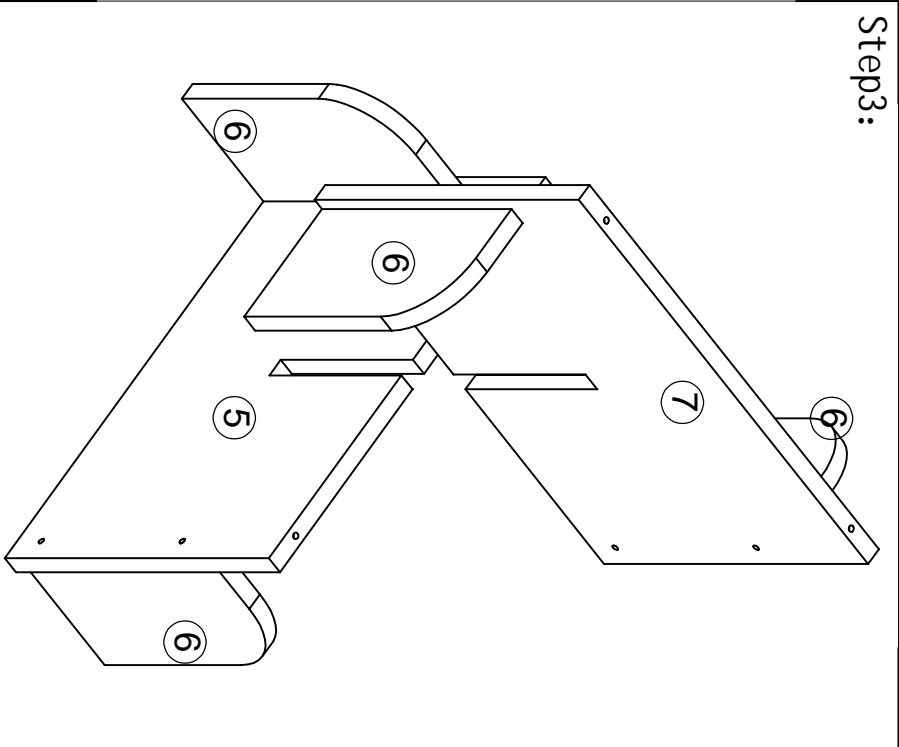
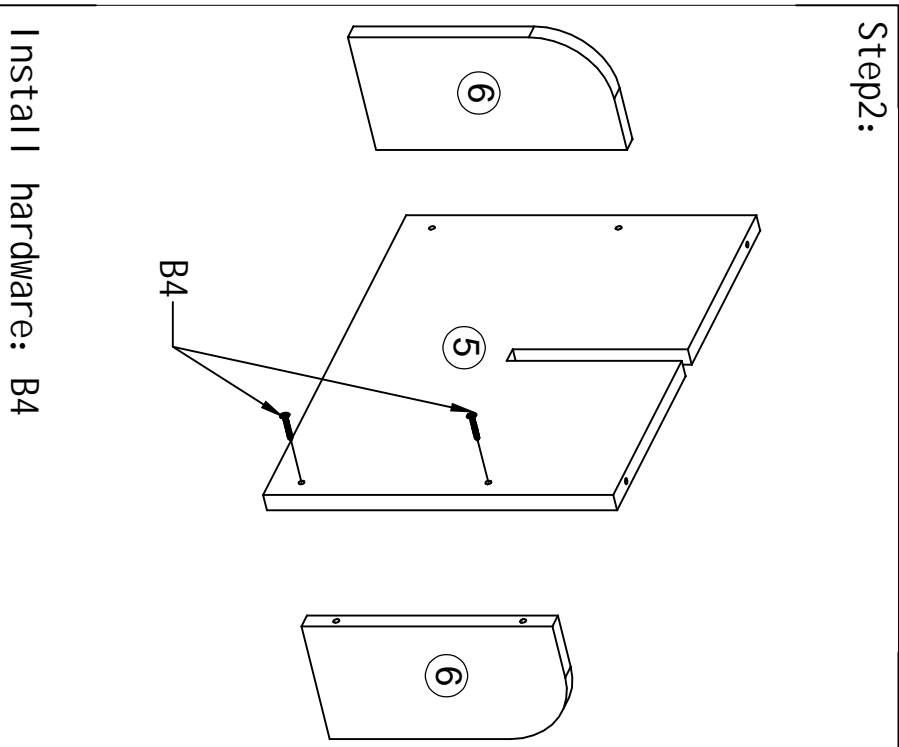
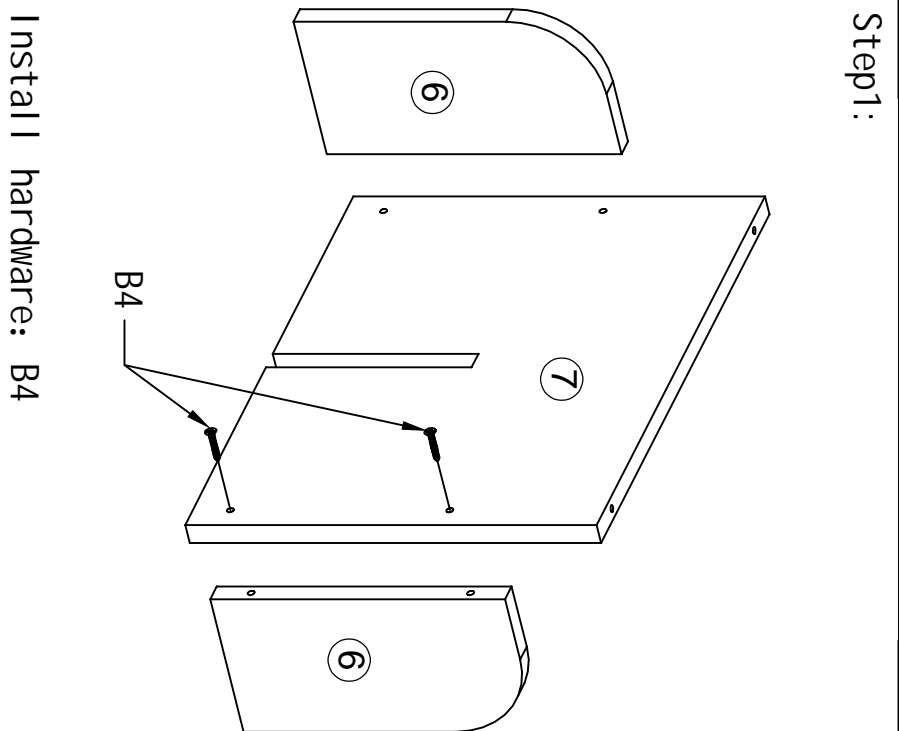
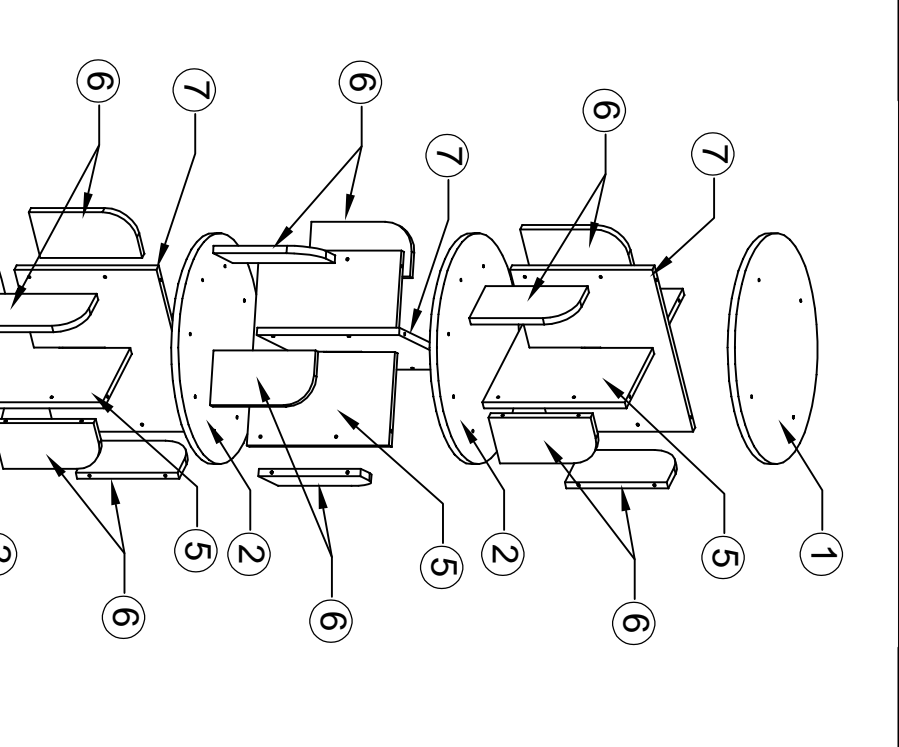
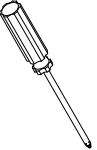
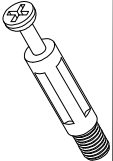
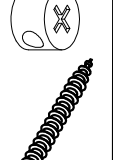
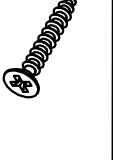
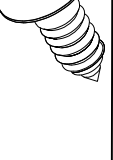
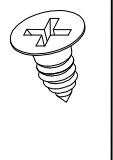
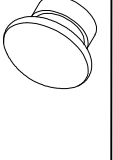
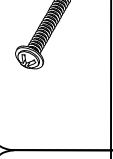
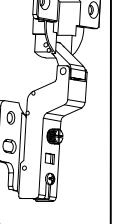
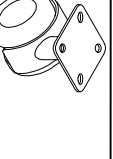
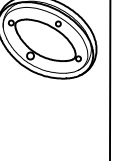


P600 double door five-layer rotating bookcase installation diagram-p1

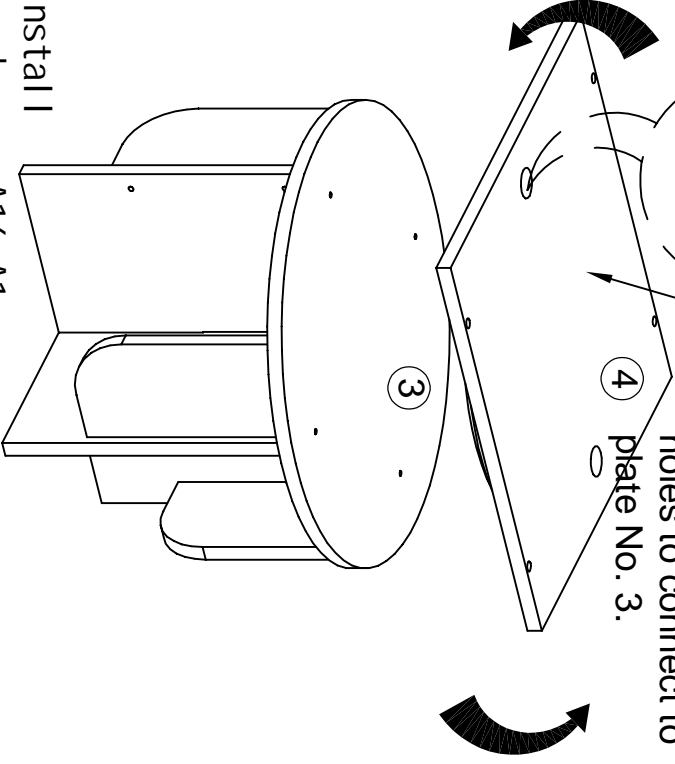
										
---	---	---	--	---	---	---	---	---	---	---



P600 double door five-layer rotating bookcase installation diagram-p2

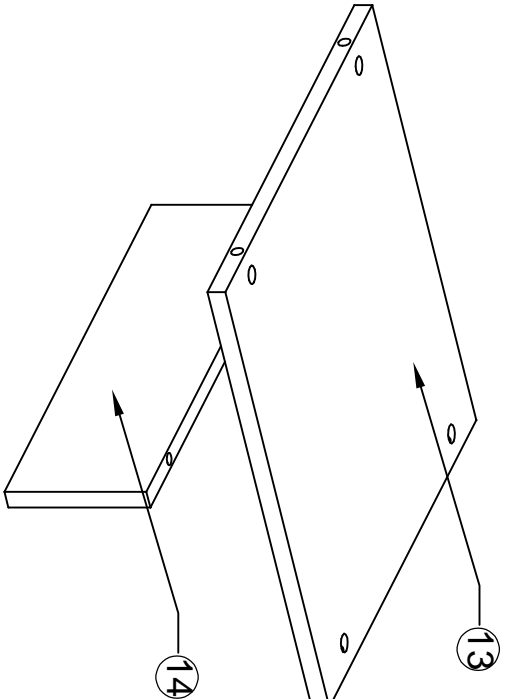
	Screwdriver		B1*14		B2*6		B4*70		A16*18		A1*36		J15*2		B0*2		L1*4		L2*4		L3*1
---	--------------------	---	--------------	---	-------------	--	--------------	---	---------------	---	--------------	---	--------------	---	-------------	---	-------------	---	-------------	---	-------------

Step7: After installing the turntable, flip it over and align the large hole with the 4 screw holes to connect to plate No. 3.



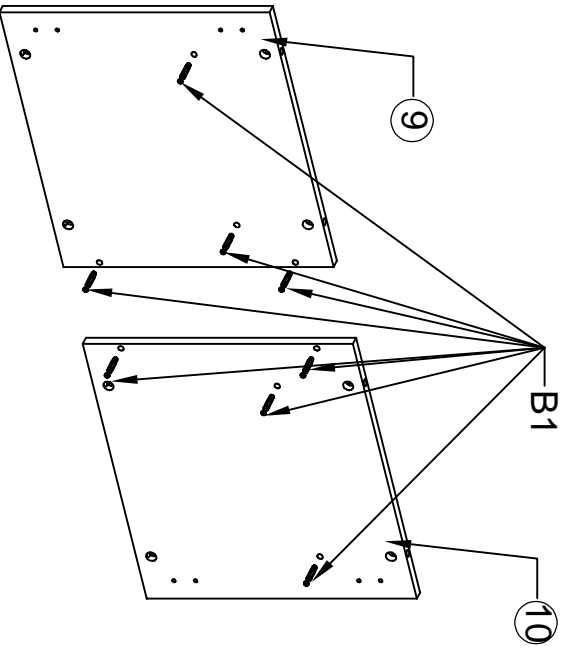
Install hardware: A16+A1

Step8:



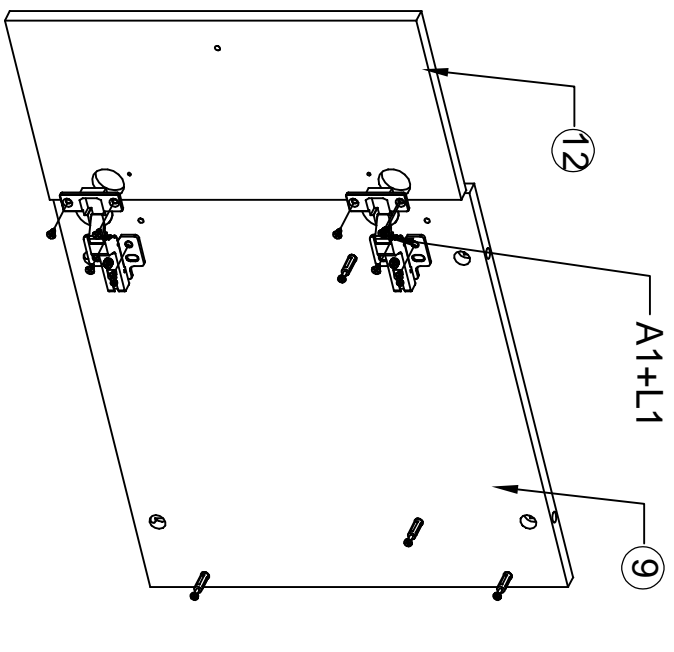
Install hardware: B1

Step9:



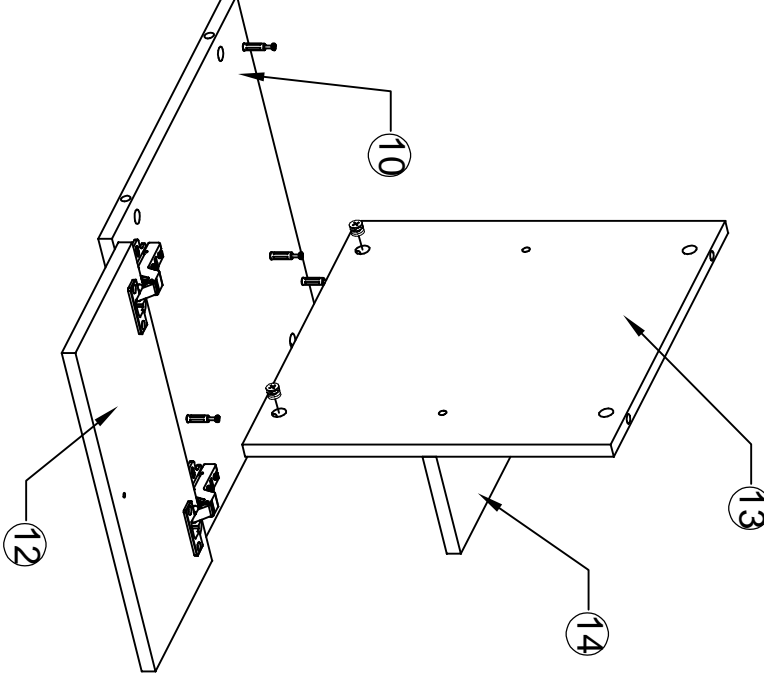
Install hardware: B1

Step10:



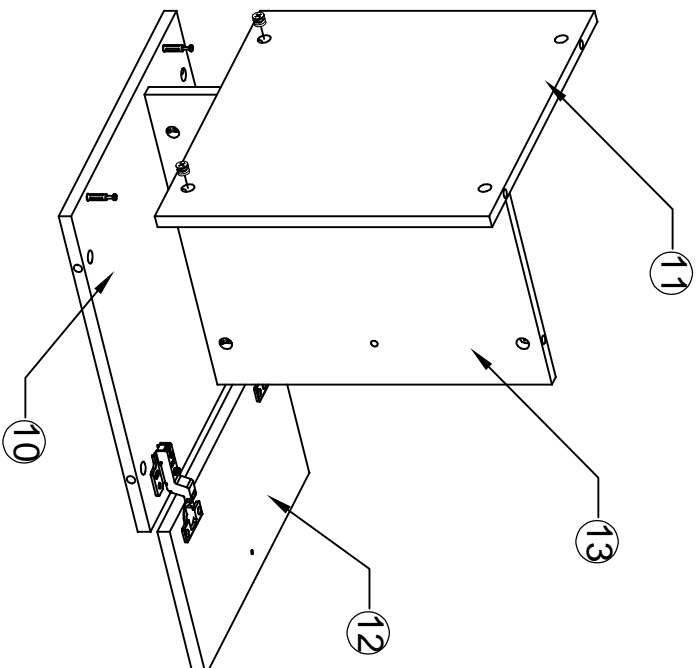
Install hardware: A1+L1

Step11:



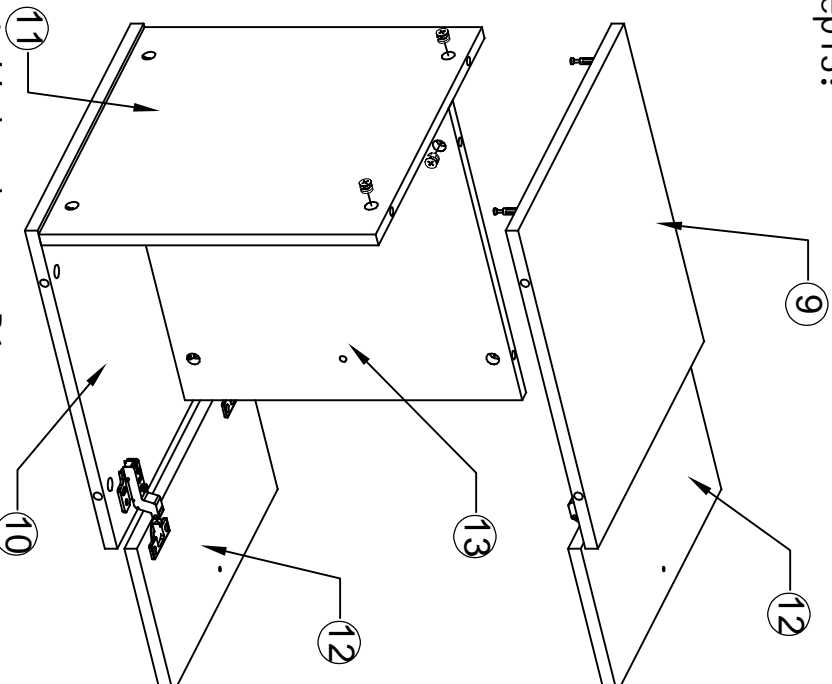
Install hardware: B1

Step12:



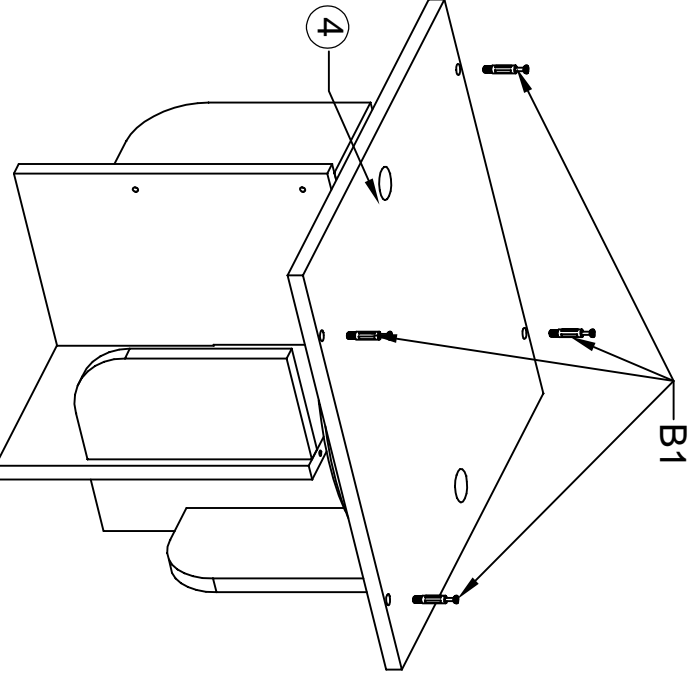
Install hardware: B1

Step13:



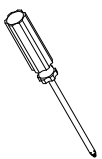
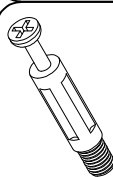
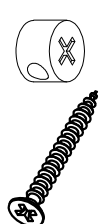



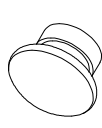

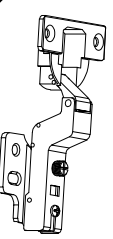
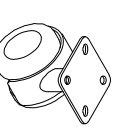
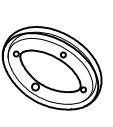
Install hardware: B1

Step14:

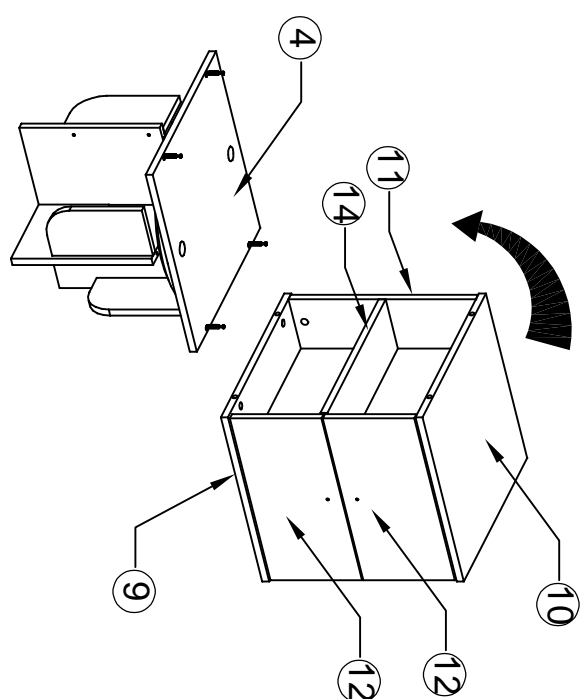


Install hardware: B1

P600 double door five-layer rotating bookcase installation diagram-p3

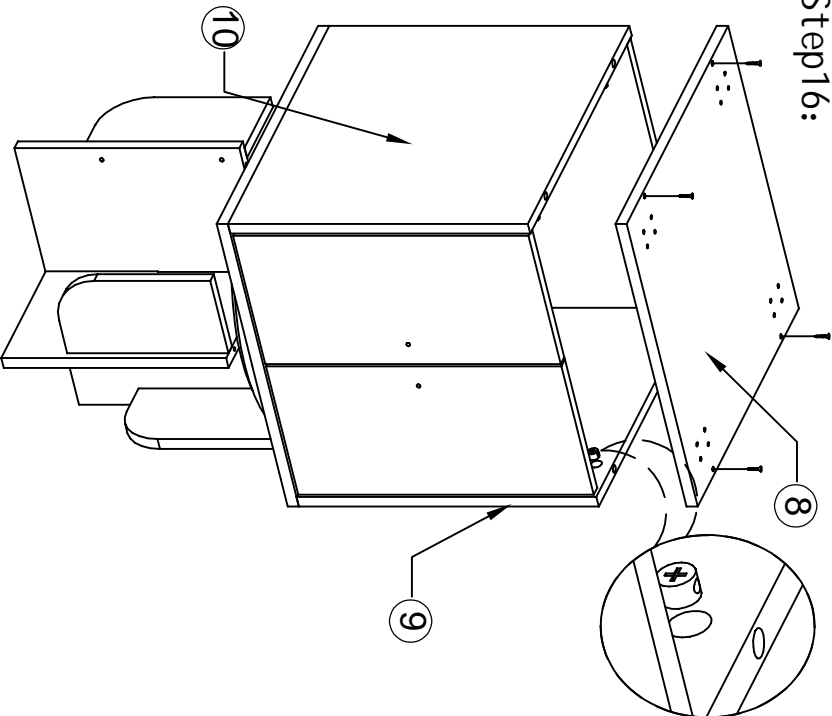
										
---	---	---	--	---	---	---	---	---	---	---

Step15:



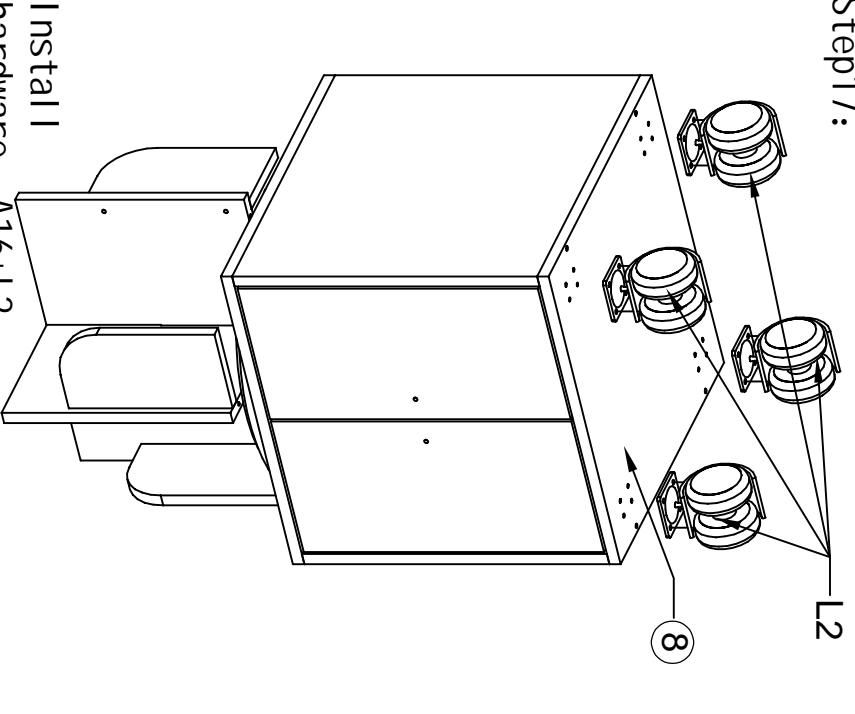
Install hardware: B1

Step16:



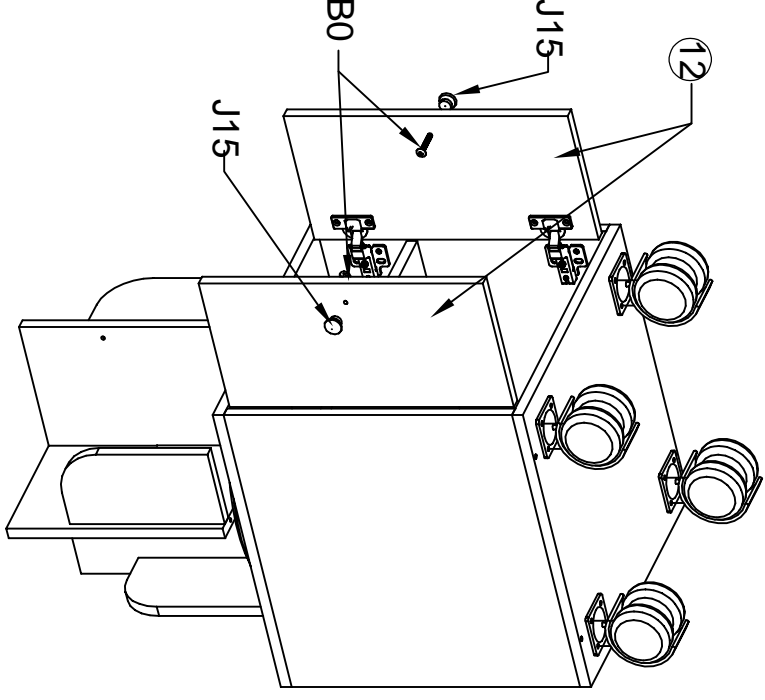
Install hardware: B2

Step17:



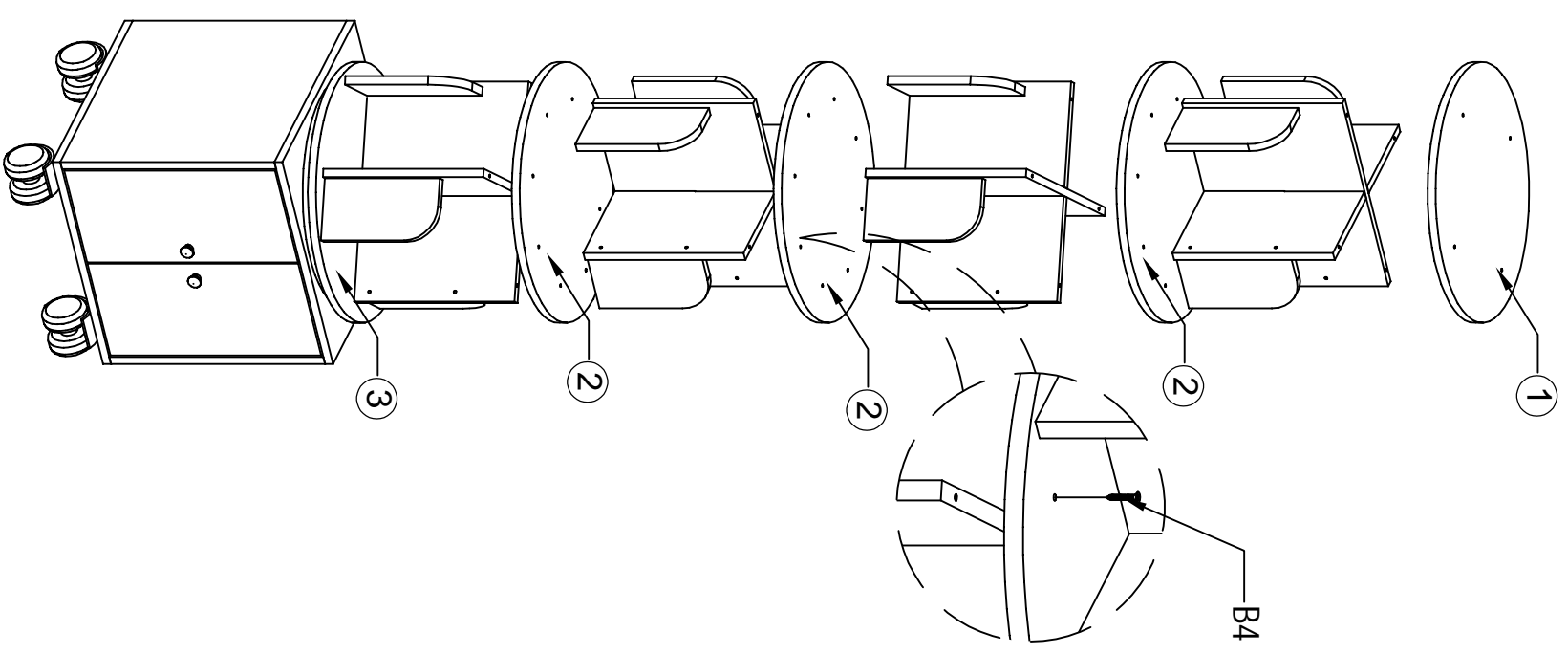
Install hardware: A16+L2

Step18:



Install hardware: J15+B0

Step19:



Install hardware: B4

