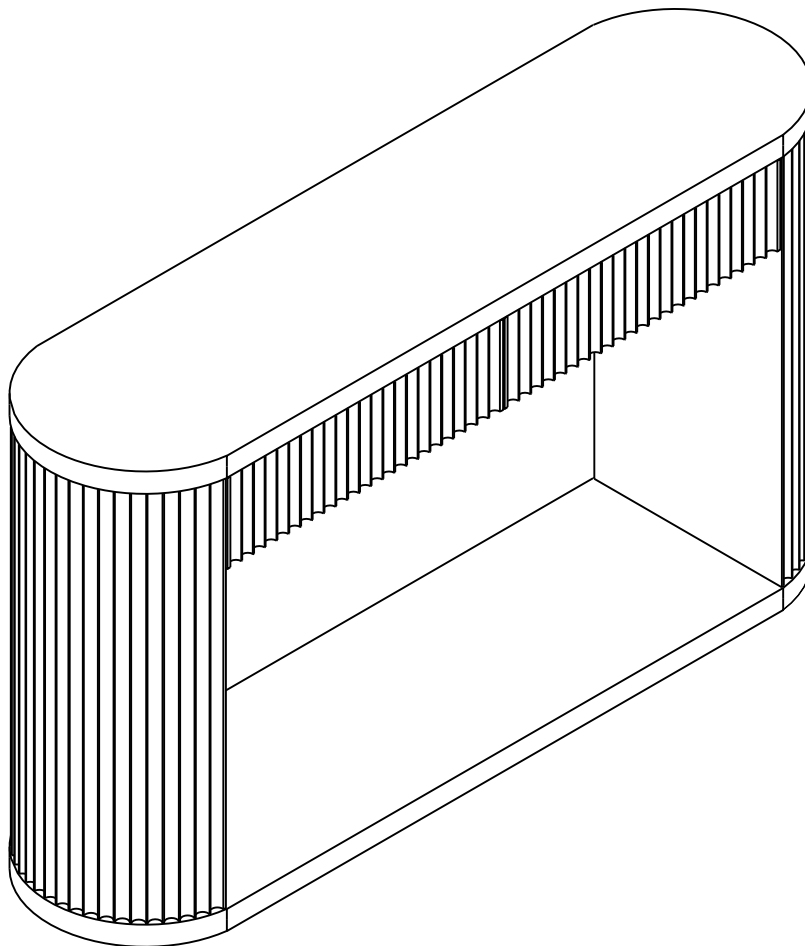


# ASSEMBLY INSTRUCTION

## CONSOLE TABLE

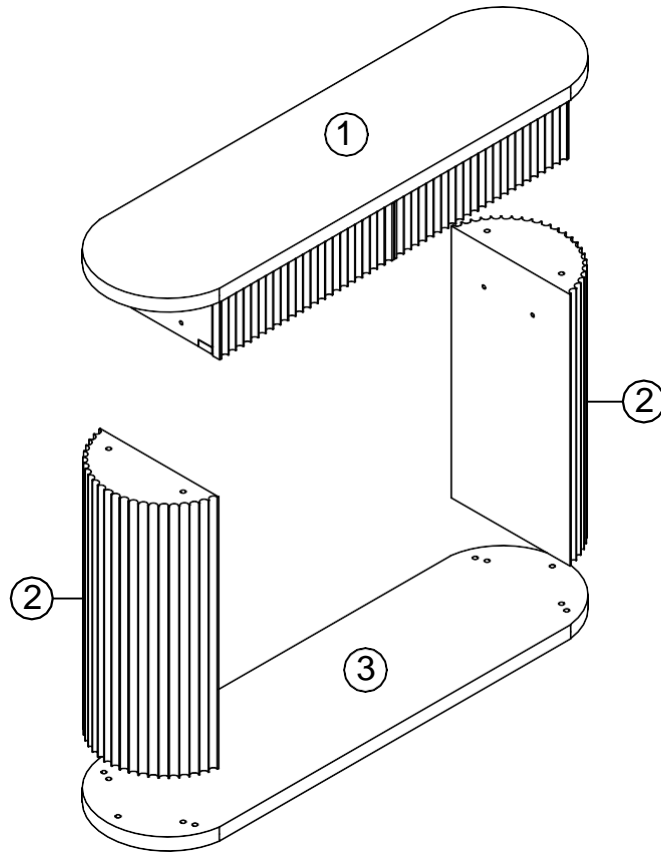


**N715P458125**

**IMPORTANT NOTE:**

- 1: PLACE ALL PARTS ON A CLEAN AND SMOOTH SURFACE SUCH AS A OR CARPET TO AVOID THE PARTS FROM BEING SCRATCHED.**
- 2: BEFORE YOU BEGIN, KINDLY FOLLOW THE ASSEMBLY INSTRUCTIONS STEP BY STEP.**
- 3: DO NOT TIGHTEN ALL BOLTS UNTIL THE CONSOLE IS FULLY SET - UP.**

# Detail View




## Part List

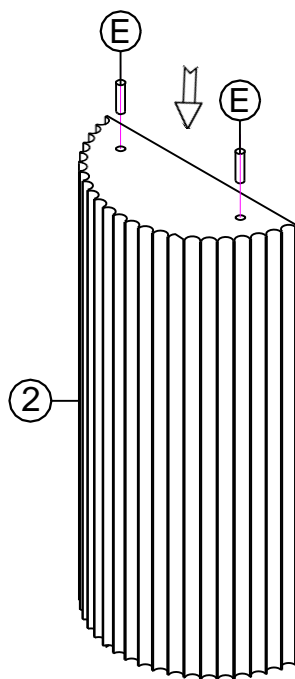
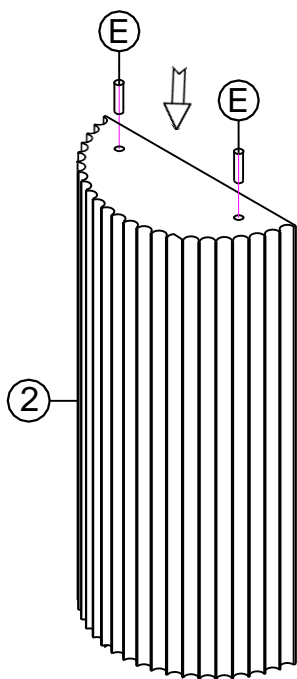
<p>1</p>	<p>2</p>	<p>3</p>
<p>TOP (1 pc)</p>	<p>LEGS (2 pcs)</p>	<p>BASE (1 pc)</p>

## Hardware List

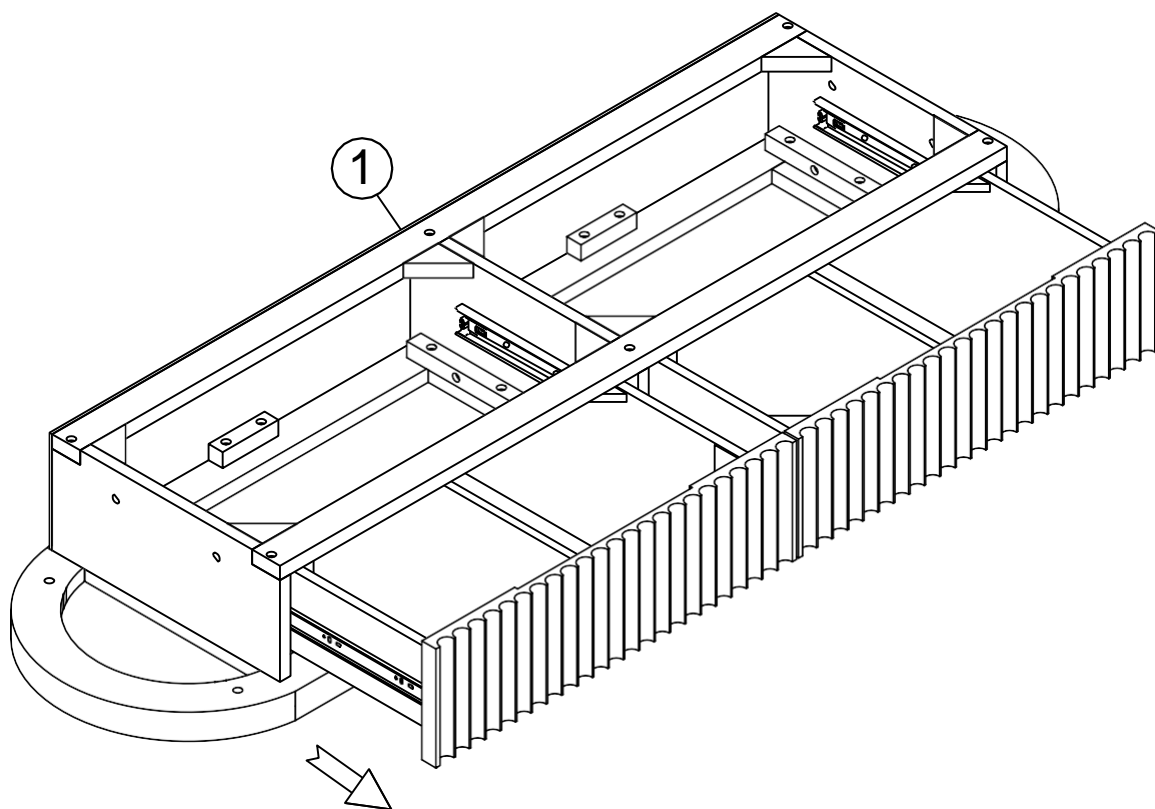
<p>A</p> <p>1/4"x40 mm</p>	<p>B</p> <p>1/4"x11 mm</p>	<p>C</p> <p>1/4"x16 mm</p>
<p>BOLT (10 pcs)</p>	<p>LOCK WASHER (10 pcs)</p>	<p>FLAT WASHER (10 pcs)</p>
<p>D</p> <p>4x58mm</p>	<p>E</p> <p>Ø10x30 mm</p>	
<p>ALLEN KEY (1 pc)</p>	<p>WOOD DOWEL (8 pcs)</p>	

STEP 1:




<b>E</b>

4 pcs

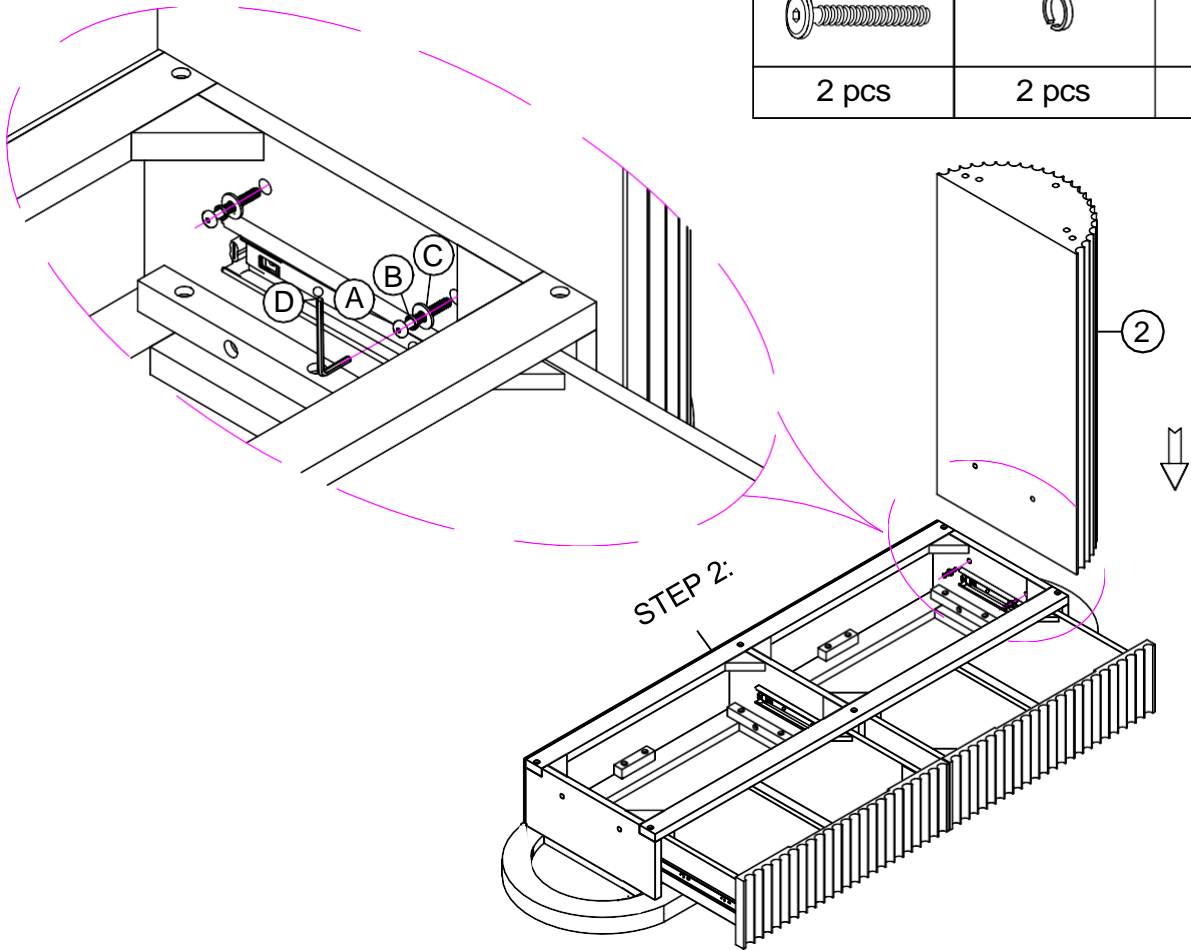


STEP 2:






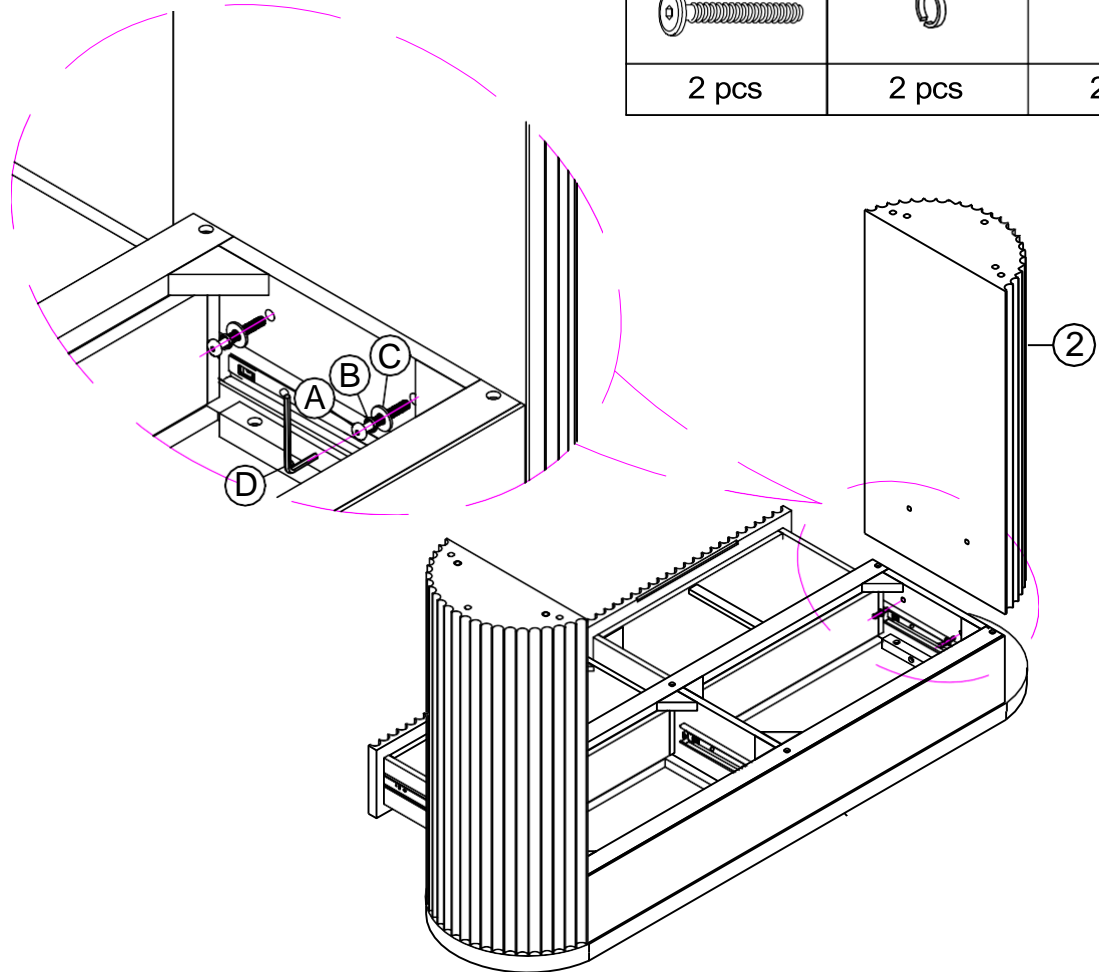
STEP 3:

<b>A</b> 	<b>B</b> 	<b>C</b> 
2 pcs	2 pcs	2 pcs



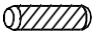
STEP 4:

<b>A</b> 	<b>B</b> 	<b>C</b> 
2 pcs	2 pcs	2 pcs

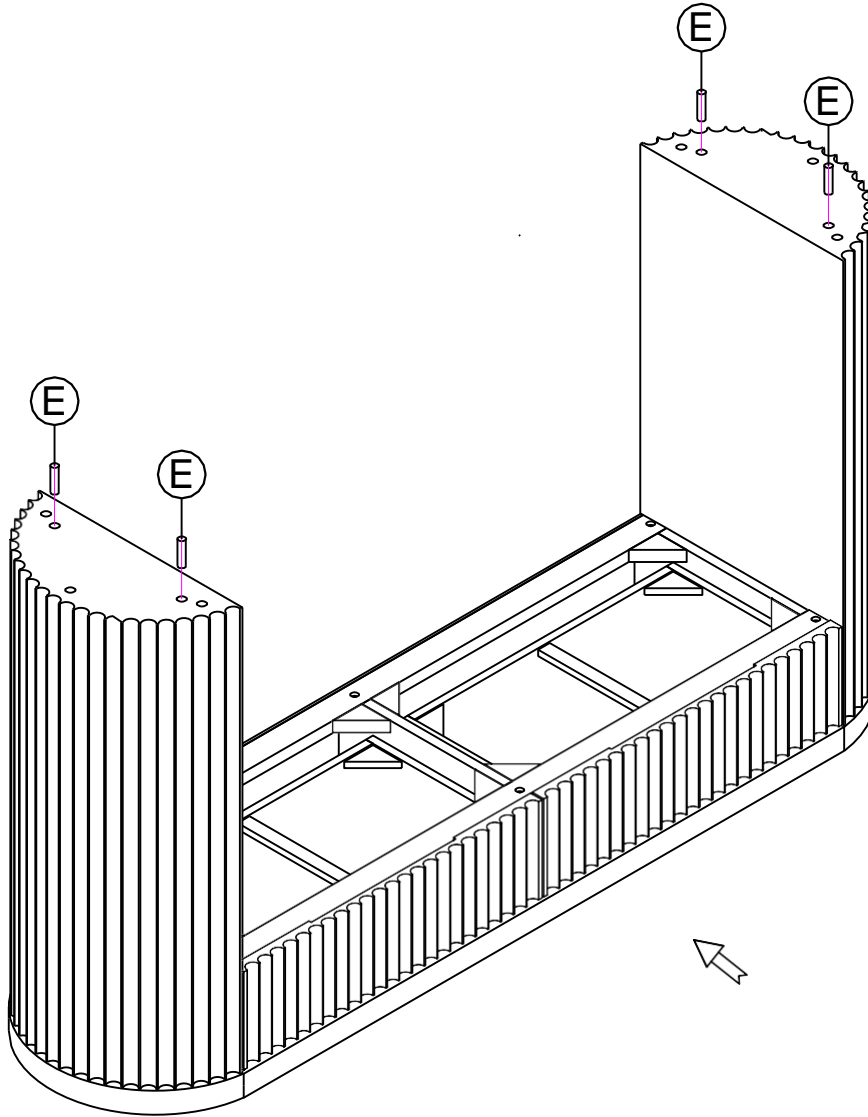


STEP 5:




E

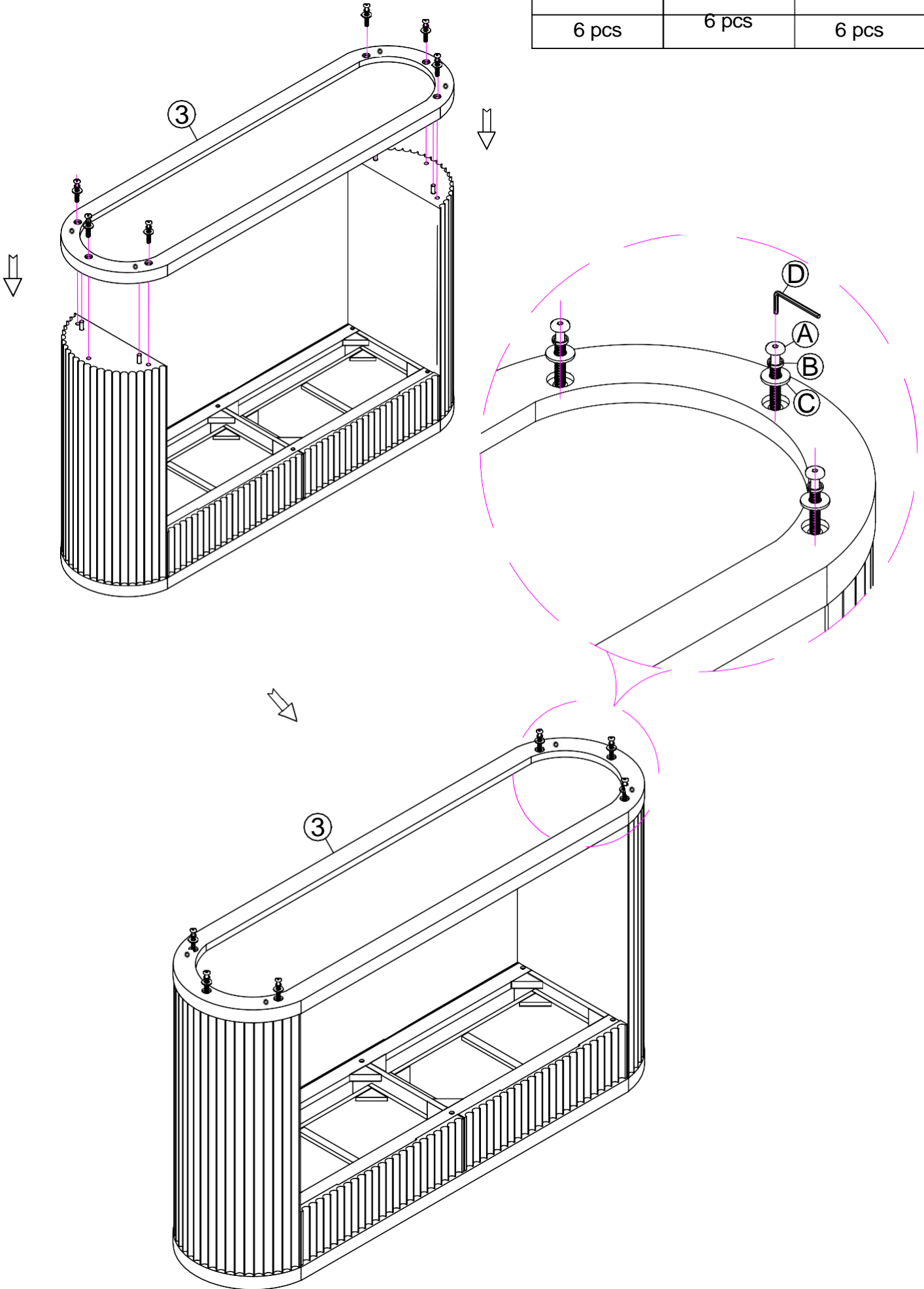


4 pcs



STEP 6:

<b>(A)</b> 	<b>(B)</b> 	<b>(C)</b> 
6 pcs	6 pcs	6 pcs



FULLY

